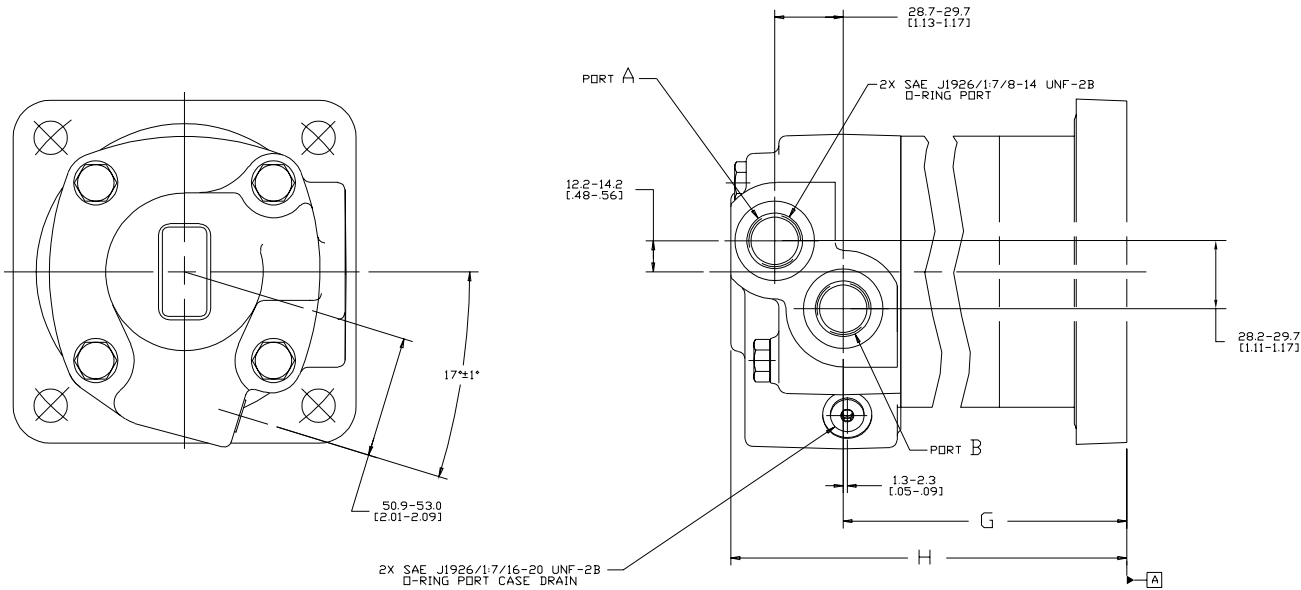


8			7		
MOUNTING TYPE AB & AM			MOUNTING TYPE AF & AJ		
DISP	G	H MAX	DISP	G	H MAX
067	157.5-159.2 [6.20-6.27]	214.4 [8.441]	067	161.6-163.4 [6.36-6.43]	218.6 [8.61]
080	161.5-163.2 [6.36-6.43]	218.4 [8.601]	080	165.7-167.5 [6.52-6.59]	222.7 [8.77]
099	167.9-169.6 [6.61-6.68]	224.7 [8.85]	099	172.0-173.8 [6.77-6.84]	229.0 [9.01]
125	176.4-178.1 [6.94-7.01]	233.2 [9.18]	125	180.5-182.3 [7.11-7.18]	237.5 [9.35]
150	167.9-169.6 [6.61-6.68]	224.7 [8.85]	150	172.0-173.8 [6.77-6.84]	229.0 [9.01]
171	172.2-174.0 [6.78-6.85]	229.1 [9.02]	171	176.4-178.2 [6.94-7.02]	233.3 [9.19]
190	176.4-178.1 [6.94-7.01]	233.2 [9.18]	190	180.5-182.3 [7.11-7.18]	237.5 [9.35]
240	187.1-188.8 [7.36-7.43]	243.9 [9.60]	240	191.2-193.0 [7.53-7.60]	248.2 [9.77]
301	199.9-201.6 [7.87-7.94]	256.8 [10.11]	301	204.0-205.9 [8.03-8.10]	261.1 [10.28]
342	208.7-210.4 [8.22-8.28]	265.7 [10.46]	342	212.8-214.6 [8.38-8.45]	269.7 [10.62]
381	217.0-218.7 [8.54-8.61]	273.9 [10.78]	381	221.1-222.9 [8.71-8.78]	278.1 [10.95]

REV	DESCRIPTION	BY	CHK	DATE	ECN
A	ENGINEERING RELEASE	AGJ		7-12-02	41743
B	REVISED	AGJ		9-30-03	45313
C	(7)ADDED MOUNTING TYPE B	SRK		7-01-04	M62263
D	REVISED TABULATION BLOCKS	AGJ		5-17-04	47918
E	-1>(2B)PORT OPTION WAS "L" -2>ADDED CASE FLOW OPTION "02" -3>UPDATED DISP VALUES AND MOUNTING TYPE IN THE TABLE	AMM		1-24-07	0002527
F	REVISED	YIS	CSG	1-18-12	M84474



- NOTES
 1 PORTS - OPTION AA
 2 CASE FLOW - OPTION 02

REVIEWED FOR CLASSIFICATION PER ESP-042

UNLESS OTHERWISE SPECIFIED ALL DIMENSIONS ARE IN INCHES	DRAWING BASED ON ASME Y14.5M-1994	
MILLIMETERS	EATON CORPORATION - CONFIDENTIAL AND PROPRIETARY	
TOLERANCES	NOTICE TO PERSONS RECEIVING THIS DRAWING: THIS DRAWING IS THE PROPERTY OF EATON CORPORATION AND IS NOT TO BE REPRODUCED OR TRANSMITTED IN ANY FORM OR BY ANY MEANS, ELECTRONIC OR MECHANICAL, INCLUDING PHOTOCOPYING, RECORDING, OR BY ANY INFORMATION STORAGE AND RETRIEVAL SYSTEM. WITHOUT THE WRITTEN PERMISSION OF EATON CORPORATION, NO PART OF THIS DRAWING IS TO BE REPRODUCED OR TRANSMITTED IN ANY FORM OR BY ANY MEANS, ELECTRONIC OR MECHANICAL, INCLUDING PHOTOCOPYING, RECORDING, OR BY ANY INFORMATION STORAGE AND RETRIEVAL SYSTEM.	Eaton Hydraulic Inc 1400 Lake Drive North Libon, Pa., PA 15544 USA
UNSPECIFIED DRAFT ANGLES ARE:	UNSPECIFIED DRAFT ANGLES ARE:	TITLE: 4000 SERIES MOTOR PORT INSTALLATION
D SIZE	DO NOT SCALE	NUMBER: A-556-017
		SCALE: 1/1 SHEET 1 OF 1