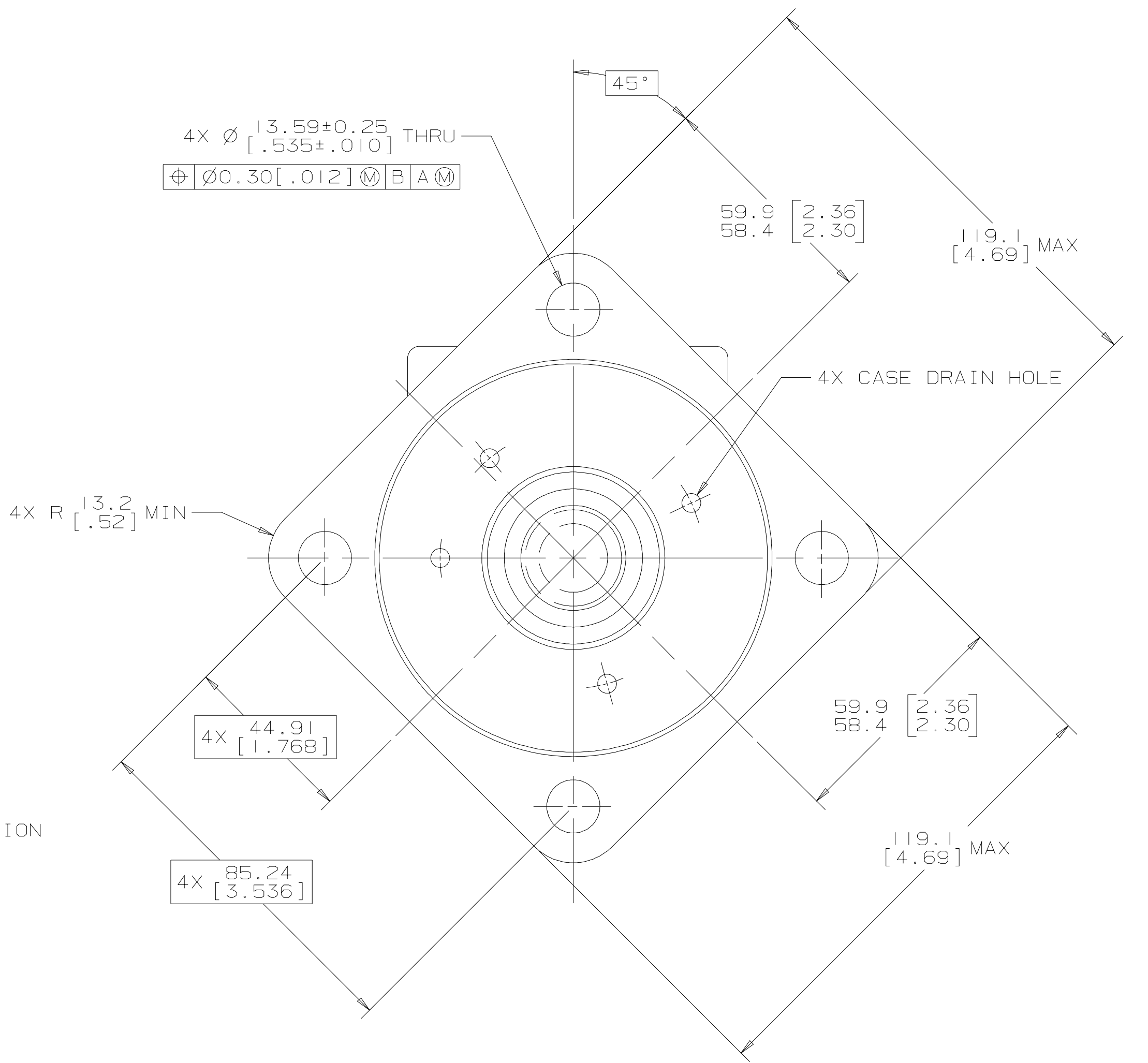
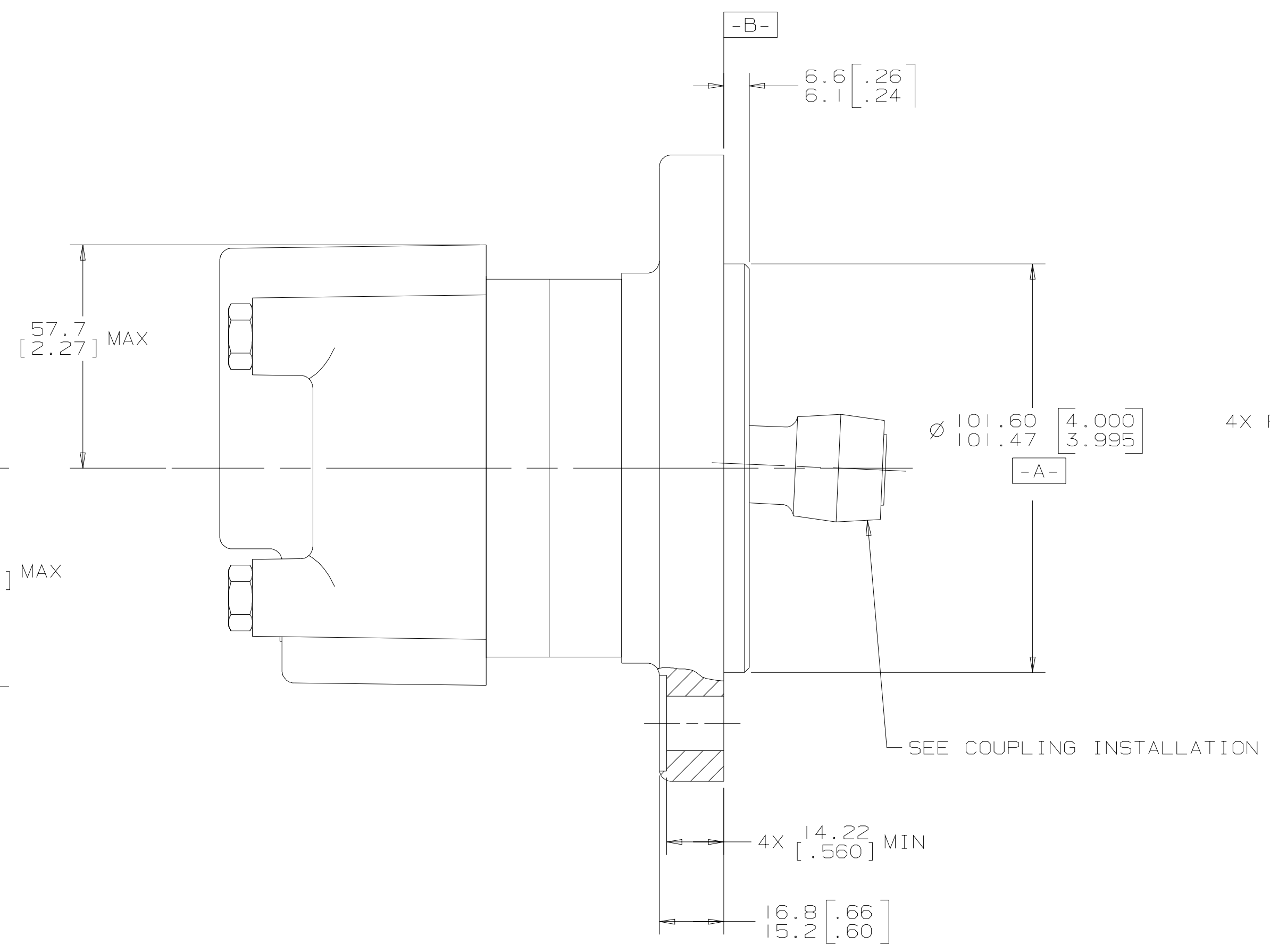
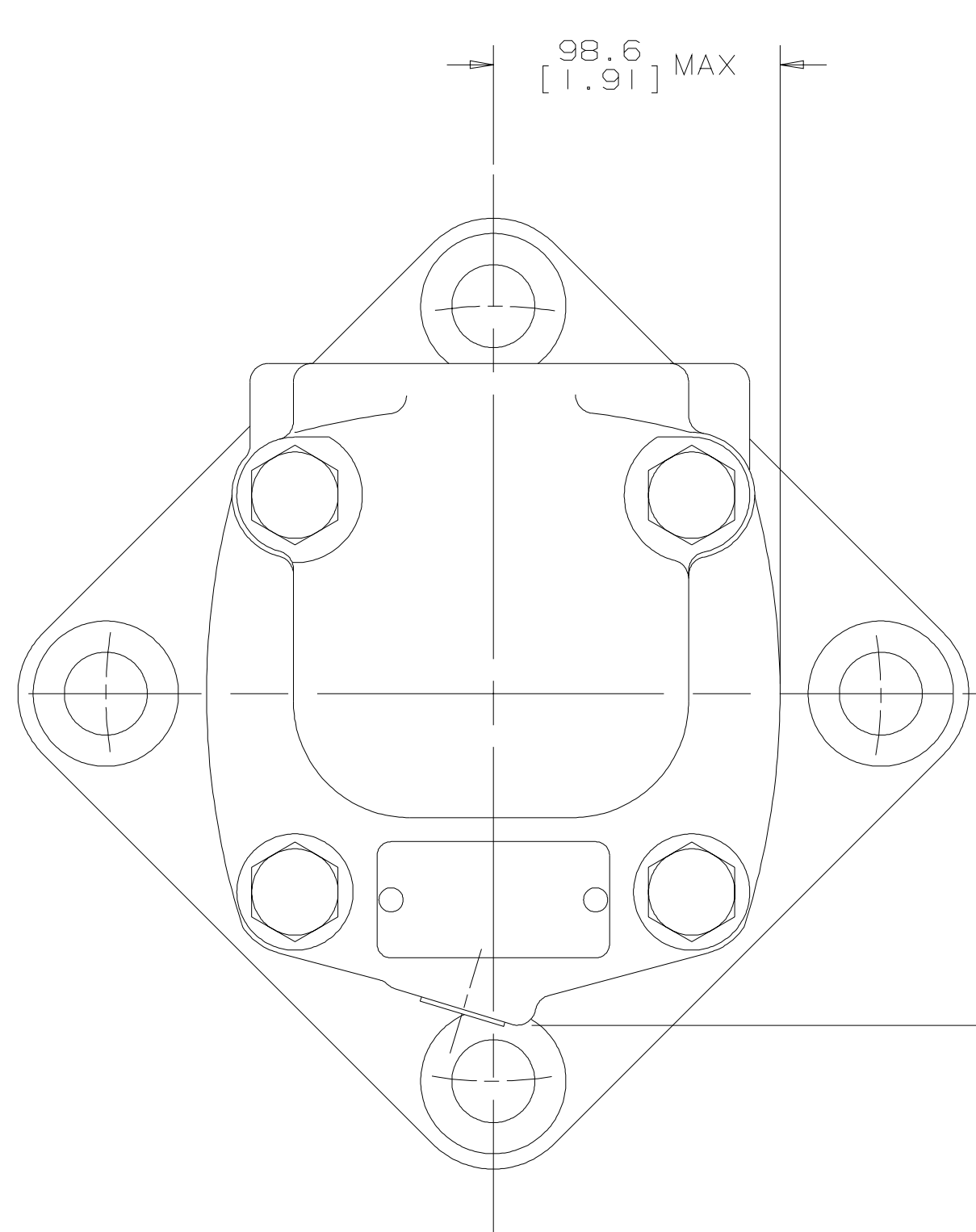
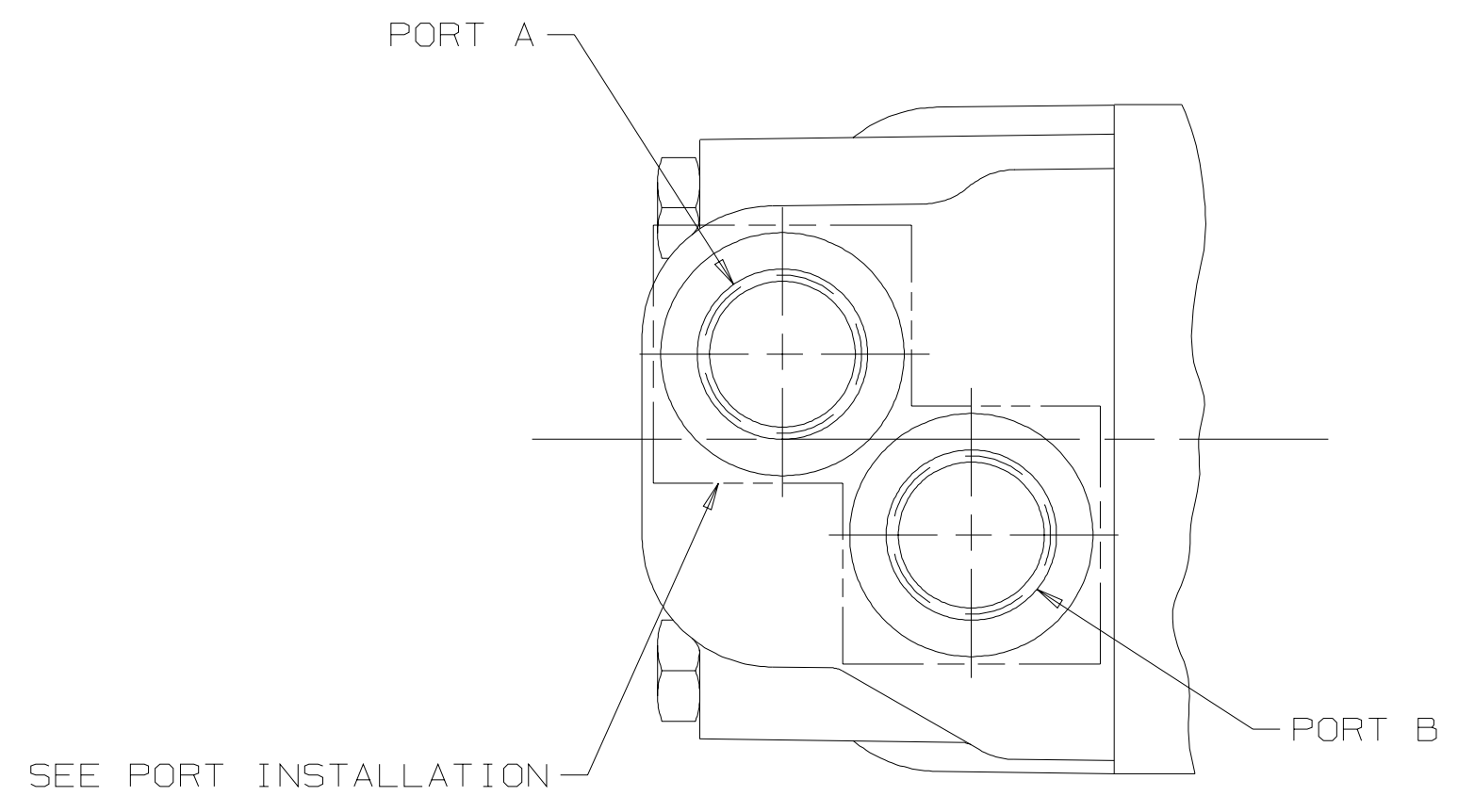


SYM	REVISION	BY	DATE	ECN
A	ENGINEERING RELEASE	AGJ	5-26-93	22833
B	(4A)NOTE 2 WAS MOUNTING TYPE: D AND E	AGJ	5/13/02	41044
C	REVISED PICTORIALY	AGJ	11-14-03	45640



NOTE

1 ROTATION:  
 STANDARD: WHEN FACING SHAFT END OF MOTOR, SHAFT TO ROTATE:  
 CLOCKWISE WHEN PORT "A" IS PRESSURIZED  
 COUNTERCLOCKWISE WHEN PORT "B" IS PRESSURIZED

REVERSE: WHEN FACING SHAFT END OF MOTOR, SHAFT TO ROTATE:  
 CLOCKWISE WHEN PORT "B" IS PRESSURIZED  
 COUNTERCLOCKWISE WHEN PORT "A" IS PRESSURIZED

2 MOUNTING TYPE: AD AND AE  
 BEARINGLESS, 4 BOLT: Ø 101.6 [4.00] PILOT  
 Ø 13.59 [.535] HOLES ON Ø 127.0 [5.00] BOLT CIRCLE

G S K

UNLESS OTHERWISE SPECIFIED ALL DIMENSIONS ARE IN		DRAWING BASED ON ANSI Y14.5M-1982	
INCHES <input type="checkbox"/>	MILLIMETERS <input checked="" type="checkbox"/>	THE REPRODUCTION, DISTRIBUTION, AND UTILIZATION OF THIS DOCUMENT, AS WELL AS THE COMMUNICATION OF ITS CONTENTS TO OTHERS WITHOUT EXPLICIT AUTHORIZATION IS PROHIBITED. OFFENDERS WILL BE HELD LIABLE FOR THE PAYMENT OF DAMAGES. ALL RIGHTS RESERVED IN THE EVENT OF A PATENT, UTILITY MODEL, OR DESIGN. (PER ISO 16016)	
TOLERANCES			
.XX +REF	BY/DATE A. JOHNSON 3-2-93		
.XXX +ONLY	CHECKED BY/DATE SDR 6-28-93	MATERIAL/HEAT TREAT	
UNSPECIFIED RADI ARE	ENGRG. BY/DATE SJZ 6-28-93	TITLE 2000 SERIES MOTOR INSTALL	
UNSPECIFIED DRAFT ANGLES ARE	METALLURGY BY/DATE	NUMBER A-666-001	
DRAWING FORMAT CAD <input checked="" type="checkbox"/> MANUAL <input type="checkbox"/>	THIRD ANGLE PROJECTION	SCALE 1/1	SHEET 1 OF 1