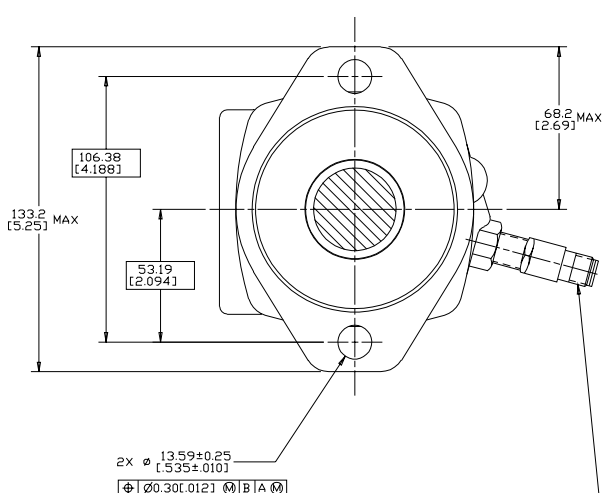
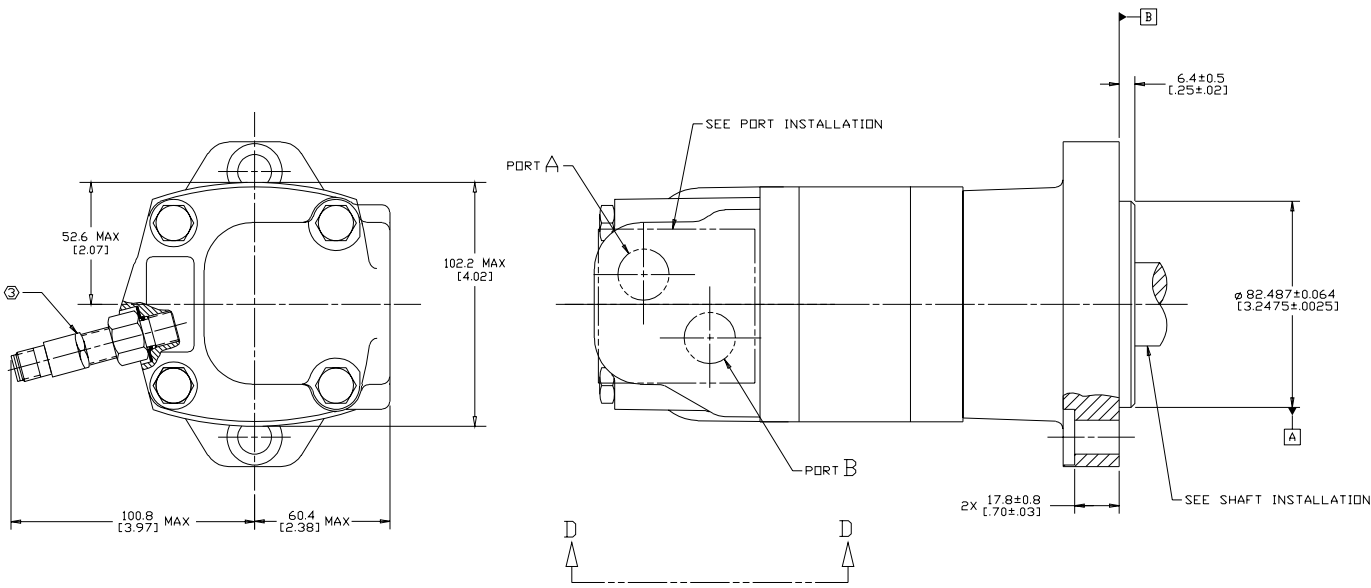
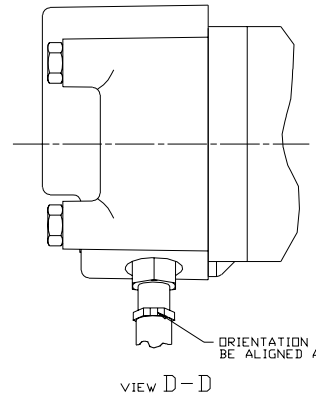


REV	DESCRIPTION	BY	CHK	DATE	ECN
A	ENGINEERING RELEASE	SMM		9-05-00	M24184
B	(4)NOTE 2 WAS MOUNTING TYPE: C	AGJ		5-13-02	41044
C	REVISED PICTORIALY	AGJ		1-15-04	M60746
D	(1)REVISED AS PER STACK UP (2)UPDATED TO ASME Y14.5-2009 STANDARD	NRI	CSG	05-12-14	M92814



CONNECTOR PINS DESIGNED TO MATE WITH TURK EUROFAST WKC V 4.4T CABLE BRAD HARRISON MICRO-CHANGE SINGLE KEYWAY PLUS LUMBERG "MICRO" STYLE 12 mm DC CONNECTOR
 PIN 1 = POWER
 PIN 2 = DIRECTION
 PIN 3 = COMMON
 PIN 4 = SPEED



VIEW D-D

- NOTE
- 1 ROTATION: STANDARD; WHEN FACING SHAFT END OF MOTOR, SHAFT TO ROTATE; CLOCKWISE WHEN PORT "A" IS PRESSURIZED; SENSOR DIRECTION OUTPUT GOES LOW; COUNTERCLOCKWISE WHEN PORT "B" IS PRESSURIZED; SENSOR DIRECTION OUTPUT GOES HIGH. REVERSE; WHEN FACING SHAFT END OF MOTOR, SHAFT TO ROTATE; CLOCKWISE WHEN PORT "B" IS PRESSURIZED; SENSOR DIRECTION OUTPUT GOES LOW; COUNTERCLOCKWISE WHEN PORT "A" IS PRESSURIZED; SENSOR DIRECTION OUTPUT GOES HIGH.
 - 2 MOUNTING TYPE: AC STANDARD, 2 BOLT, Ø 82.6 [3.25] PILDT Ø 13.59 [0.535] HOLES, DN Ø 106.4 [4.19] BOLT CIRCLE "SAE A"
 - 3 NOMINAL SENSOR OUTPUT WILL BE 60 ELECTRICAL PULSES PER SHAFT REVOLUTION AND DIRECTIONAL SIGNAL. SUPPLY VOLTAGE: 9 TO 28 Vdc. OUTPUT VOLTAGE: LOW 5 Vdc AT 10 mA; HIGH Vs-1 Vdc

REVIEWED FOR CLASSIFICATION PER ESP -042

UNLESS OTHERWISE SPECIFIED, DIMENSIONS ARE IN INCHES. DIMENSIONS IN MILLIMETERS <input checked="" type="checkbox"/>	DRAWING BASED ON ASME Y14.5-2009	
TOLERANCES	EATON CORPORATION - CONFIDENTIAL AND PROPRIETARY NOTICE TO PURCHASER RECEIVING THIS DRAWING: THIS DRAWING IS THE PROPERTY OF EATON CORPORATION AND IS NOT TO BE REPRODUCED, COPIED, OR TRANSMITTED IN ANY FORM OR BY ANY MEANS, ELECTRONIC OR MECHANICAL, INCLUDING PHOTOCOPYING, RECORDING, OR BY ANY INFORMATION STORAGE AND RETRIEVAL SYSTEM, WITHOUT THE WRITTEN PERMISSION OF EATON CORPORATION. ALL RIGHTS RESERVED.	
XX 1 ----	DATE: SMN 9-25-00	MATERIAL/HEAT TREAT
XX 4 ----	DATE: MLL 9-29-00	
UNSPECIFIED RADI ARE	DATE: JDM 10-02-00	TITLE
UNSPECIFIED DRAFT ANGLES ARE	METALLURGY BY DATE	2000 SERIES MOTOR INSTALL
D SIZE	THIRD ANGLE PROJECTION	NUMBER
	DO NOT SCALE	A-665-031
		SCALE 1/1 SHEET 1 OF 1

