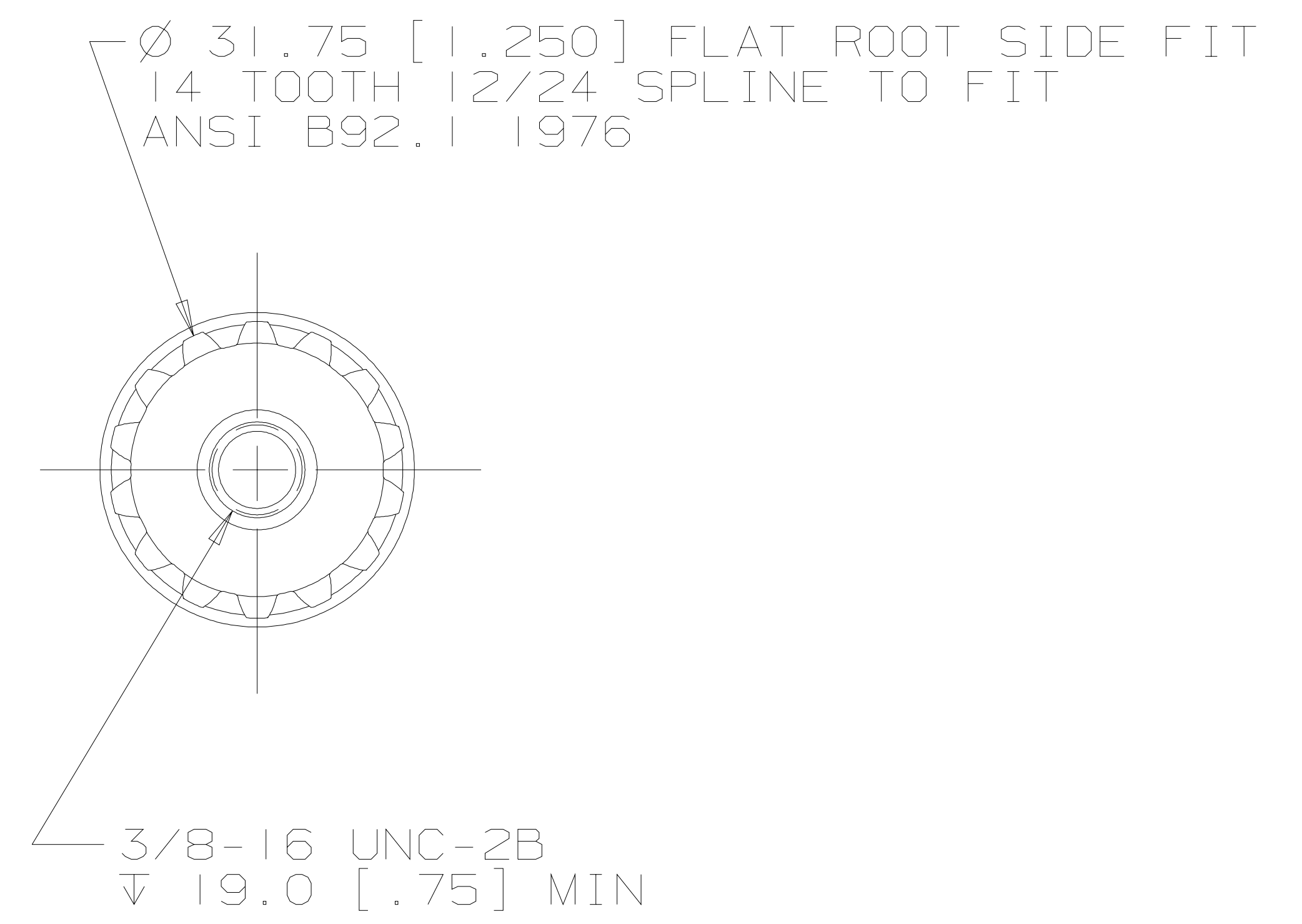
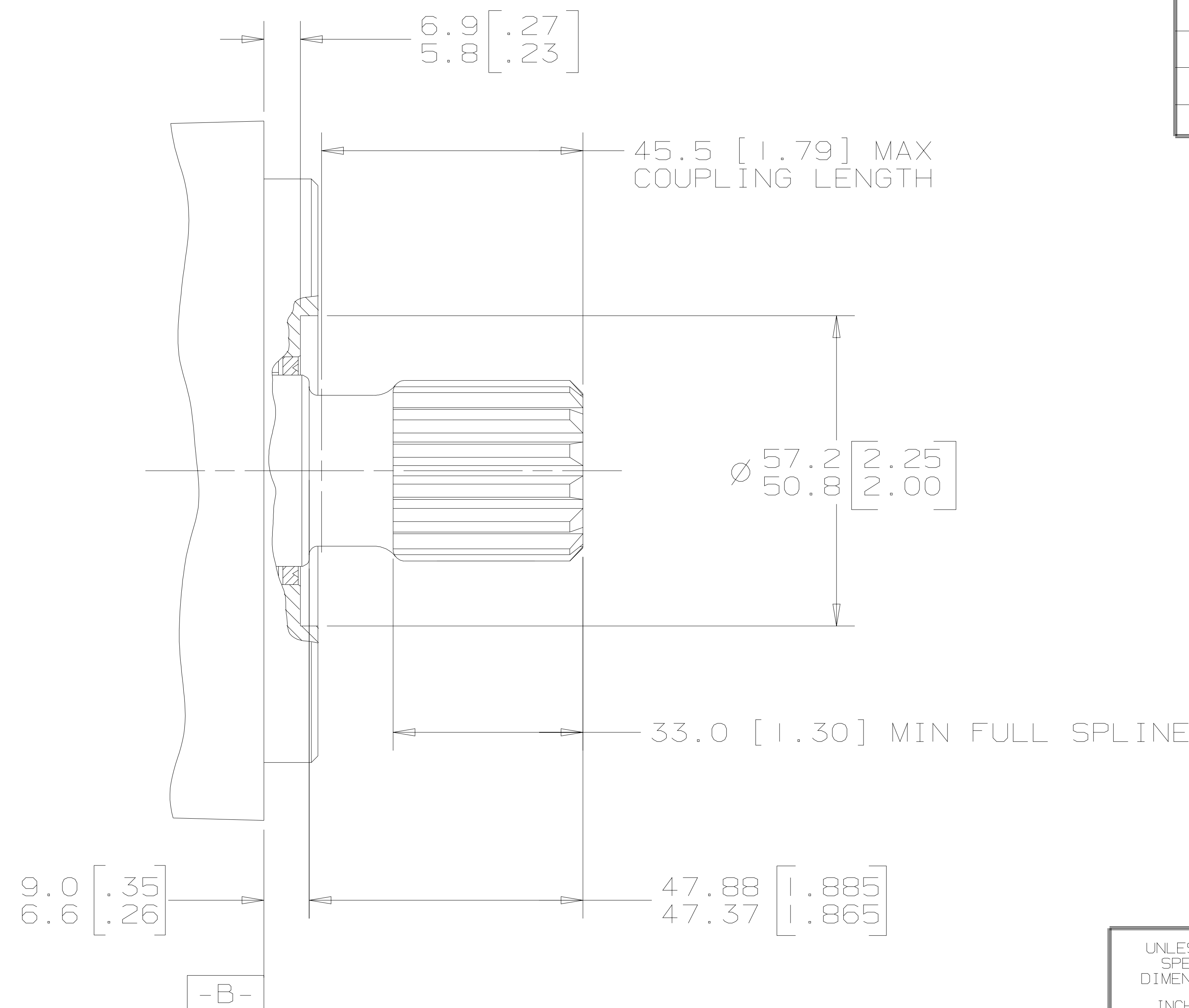
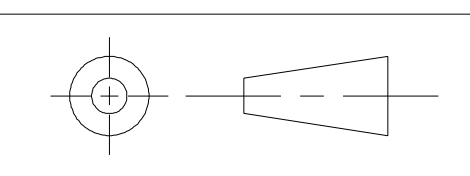


REV	DESCRIPTION	BY	DATE	ECN
A	ENGINEERING RELEASE	AGJ	5-26-93	22833
B	NOTE 1 WAS MOUNTING TYPE: OPTION F	AGJ	5-13-02	41044
C	6.9/5.8 [.27/.23] WAS 6.4/5.8 [.25/.23]	AGJ	9-30-03	45244
D	NOTE 2 WAS OUTPUT SHAFT: OPTION 04 & 28	PM	4-4-06	54522
E	9.0/6.6 [.35/.26] WAS 8.7/7.1 [.34/.28]	PRK	7-08-09	18025



NOTE  
 1 MOUNTING TYPE: OPTION AF  
 2 OUTPUT SHAFT: OPTION 04 & 21

UNLESS OTHERWISE SPECIFIED ALL DIMENSIONS ARE IN INCHES <input type="checkbox"/> MILLIMETERS [INCHES] <input checked="" type="checkbox"/>	DRAWING BASED ON ANSI Y14.5M-1982	
	EATON CORPORATION - CONFIDENTIAL AND PROPRIETARY NOTICE TO PERSONS RECEIVING THIS DRAWING AND / OR TECHNICAL INFORMATION <small>THIS DOCUMENT, INCLUDING THE DRAWING AND INFORMATION CONTAINED THEREON, IS CONFIDENTIAL AND IS THE EXCLUSIVE PROPERTY OF EATON CORPORATION AND IS MERELY ON LOAN AND SUBJECT TO RECALL BY EATON AT ANY TIME. BY TAKING POSSESSION OF THIS DOCUMENT, THE RECIPIENT ACKNOWLEDGES AND AGREES THAT THIS DOCUMENT CANNOT BE USED IN ANY MANNER ADVERSE TO THE INTERESTS OF EATON, AND THAT NO PORTION OF THIS DOCUMENT MAY BE COPIED OR OTHERWISE REPRODUCED WITHOUT THE PRIOR WRITTEN CONSENT OF EATON. IN THE CASE OF CONFLICTING CONTRACTUAL PROVISIONS, THIS NOTICE SHALL GOVERN THE STATUS OF THIS DOCUMENT.</small> COPYRIGHT 2008 EATON CORPORATION - ALL RIGHTS RESERVED.	
<b>TOLERANCES</b> .X ± ---- .XX ± REF .XXX ± ONLY < ± ----	DRAWN BY/DATE A. JOHNSON 3-19-93 CHECKED BY/DATE SDR 6-24-93 ENGRG BY/DATE SJZ 6-28-93 METALLURGY BY/DATE -----	MATERIAL/HEAT TREAT  TITLE 2000 SERIES MOTOR SHAFT INSTALLATION
UNSPECIFIED RADII ARE ----	MICROINCHES <input type="checkbox"/> MICROMETERS [MICROINCHES] <input type="checkbox"/> ARITHMETICAL AVERAGE <input checked="" type="checkbox"/>	NUMBER A-685-004 SCALE 1/1 SHEET 1 OF 1
UNSPECIFIED DRAFT ANGLES ARE ----	THIRD ANGLE PROJECTION 	
DRAWING FORMAT CADD <input checked="" type="checkbox"/> MANUAL <input type="checkbox"/>	DO NOT SCALE	

