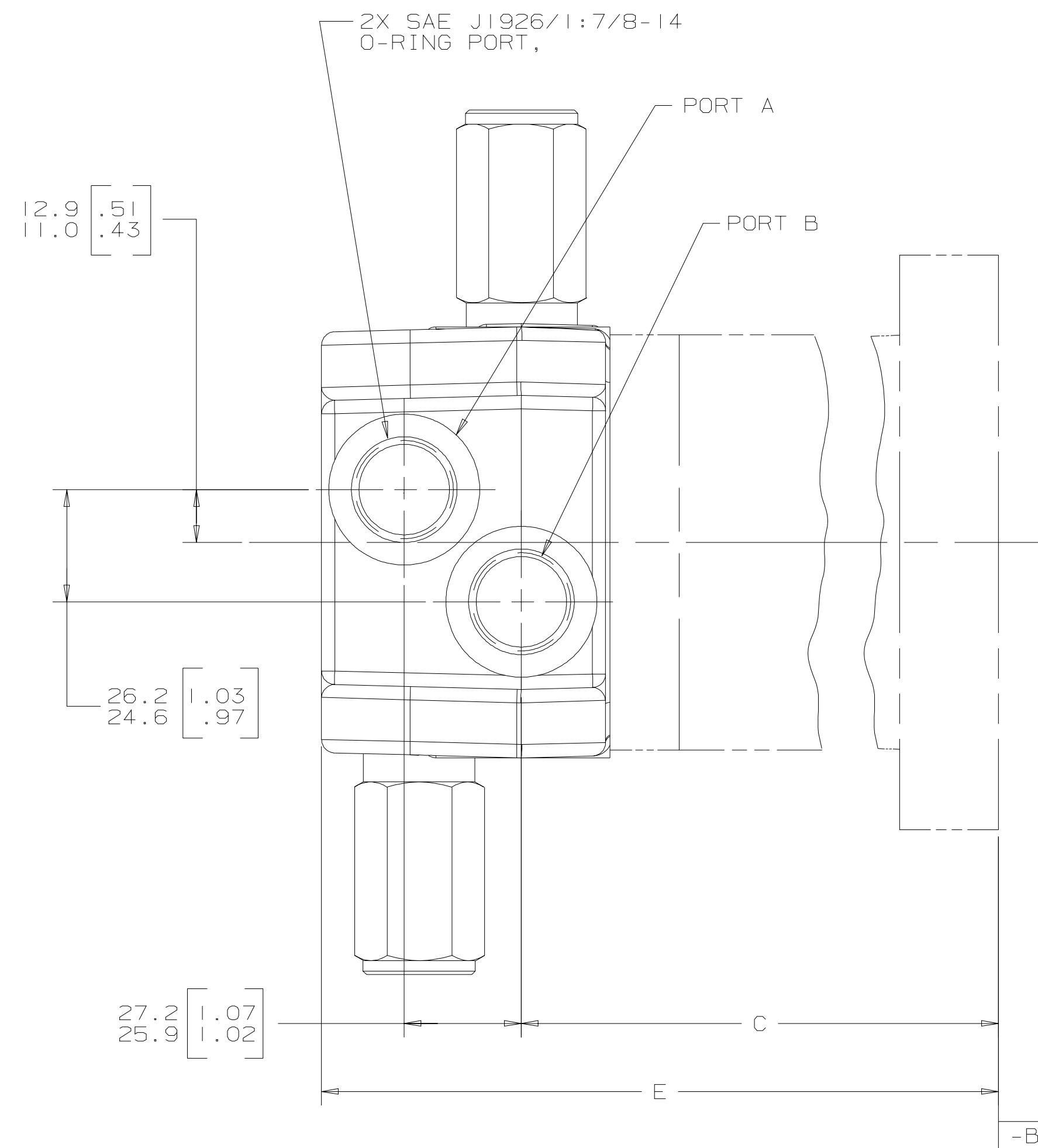
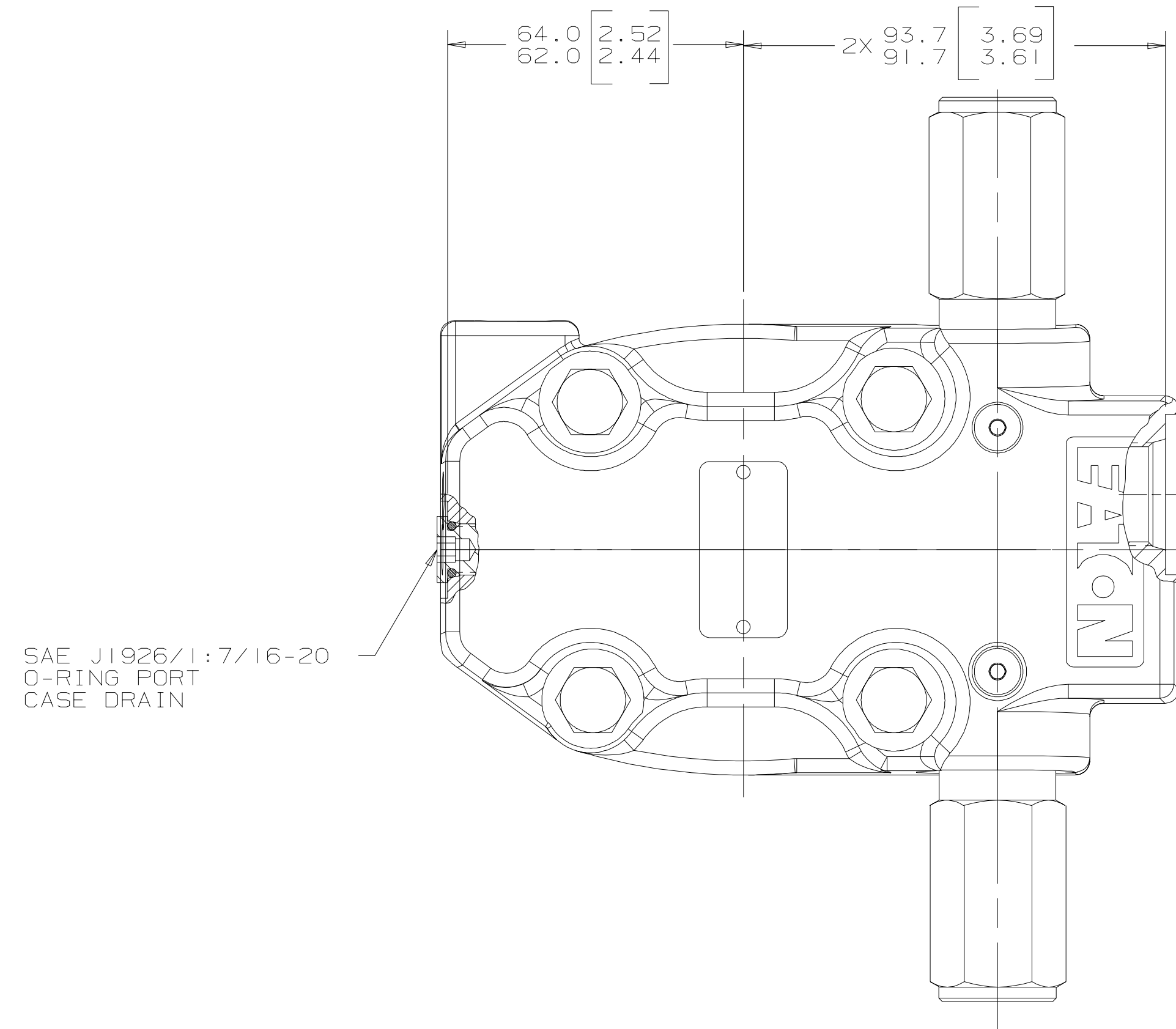
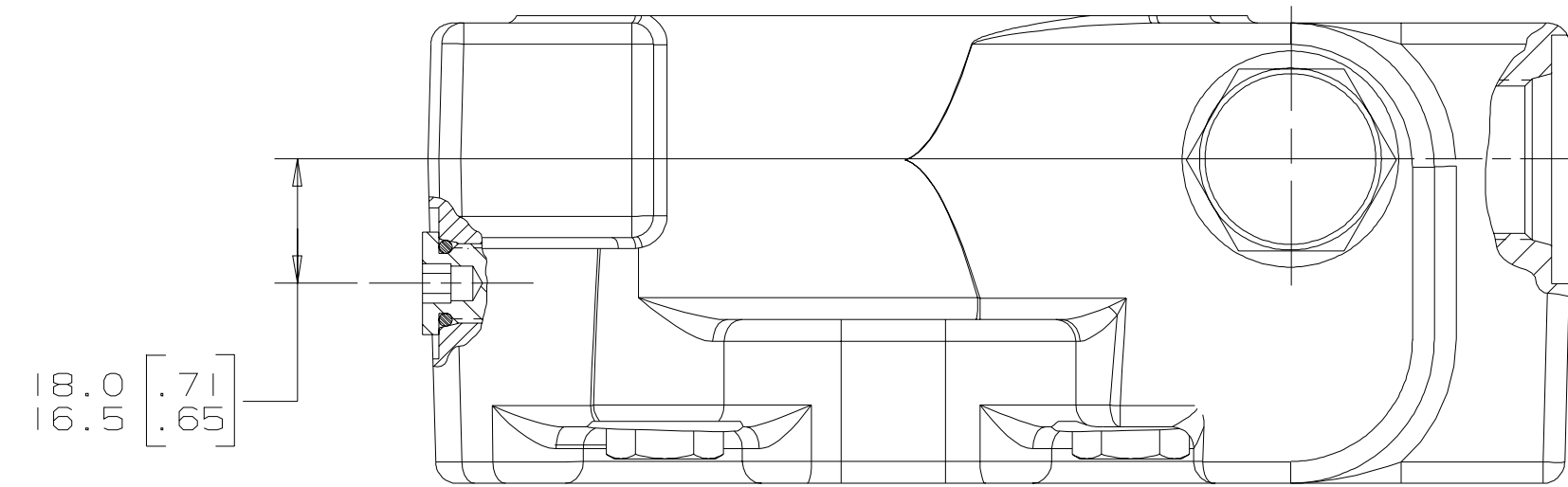


8			7			6			5			4		
MOUNTING TYPE AB, AM, AP, AR, AV, BB, BF, BG, BH			MOUNTING TYPE AC, AF, AH, AN, AS, AW, AU, AY, BA, BE, BD, BK			MOUNTING TYPE AD, AE, BJ			MOUNTING TYPE AJ & BC					
DISP	C	E MAX	DISP	C	E MAX	DISP	C	E MAX	DISP	C	E MAX			
049	96.0-97.5 [3.78-3.84]	144.0 [5.67]	049	136.1-137.7 [5.36-5.42]	184.2 [7.25]	049	77.7-80.0 [3.06-3.15]	126.5 [4.98]	049	139.7-141.7 [5.50-5.58]	188.2 [7.41]			
055	98.3-99.8 [3.87-3.93]	146.3 [5.76]	055	138.5-140.0 [5.45-5.51]	186.5 [7.34]	055	80.0-82.3 [3.15-3.24]	128.8 [5.07]	055	142.0-144.0 [5.59-5.67]	190.5 [7.50]			
062	100.6-102.4 [3.96-4.03]	148.8 [5.86]	062	140.7-142.5 [5.54-5.61]	189.0 [7.44]	062	82.3-84.8 [3.24-3.34]	131.3 [5.17]	062	144.3-146.6 [5.68-5.77]	193.0 [7.60]			
080	107.2-108.7 [4.22-4.28]	155.2 [6.11]	080	147.3-148.8 [5.80-5.86]	195.3 [7.69]	080	88.9-91.2 [3.50-3.59]	137.7 [5.42]	080	150.9-152.9 [5.94-6.02]	199.4 [7.85]			
096	107.2-108.7 [4.22-4.28]	155.2 [6.11]	096	147.3-148.8 [5.80-5.86]	195.3 [7.69]	096	88.9-91.2 [3.50-3.59]	137.7 [5.42]	096	150.9-152.9 [5.94-6.02]	199.4 [7.85]			
119	114.0-115.3 [4.48-4.54]	161.8 [6.37]	119	154.2-155.4 [6.06-6.12]	201.9 [7.95]	119	95.5-97.8 [3.76-3.85]	144.3 [5.68]	119	157.5-159.5 [6.20-6.28]	206.0 [8.11]			
149	122.9-124.5 [4.84-4.90]	171.0 [6.73]	149	163.1-164.6 [6.42-6.48]	211.1 [8.31]	149	104.6-106.9 [4.12-4.21]	153.4 [6.04]	149	166.6-168.7 [6.56-6.64]	215.1 [8.47]			
187	134.4-135.6 [5.29-5.34]	182.1 [7.17]	187	174.5-175.8 [6.87-6.92]	222.2 [8.75]	187	116.1-118.1 [4.57-4.65]	164.6 [6.48]	187	178.1-179.8 [7.01-7.08]	226.3 [8.91]			
240	150.1-151.9 [5.91-5.98]	198.4 [7.81]	240	190.2-192.0 [7.49-7.56]	238.5 [9.39]	240	131.8-134.4 [5.19-5.29]	180.8 [7.12]	240	193.8-196.1 [7.63-7.72]	242.6 [9.55]			
298	167.6-169.2 [6.60-6.66]	215.7 [8.49]	298	207.8-209.3 [8.18-8.24]	255.8 [10.07]	298	149.4-151.6 [5.88-5.97]	198.1 [7.80]	298	211.3-213.4 [8.32-8.40]	259.8 [10.23]			

REV	DESCRIPTION	BY	CHK	DATE	ECN
A	ENGINEERING RELEASE	AGJ		11-14-03	M60377
B	REVISED PICTORIALLY	AGJ		12/09/03	M60463
C	REVISED TABULATION BLOCKS	AGJ		5-17-04	47918
D	ADDED MOUNTING TYPE BK TO TABULATION	AGJ		8-17-04	M62183
E	REVISED DISPLACEMENT FOR TABULATION BLOCKS	RG		6-26-06	56090
F	REVISED	HRK	SKS	9-16-09	19302



- NOTE
- PORT OPTION AA OR AP
 - CASE FLOW OPTION: 01, 04 OR 13

REVIEWED FOR CLASSIFICATION PER ESP-042

UNLESS OTHERWISE SPECIFIED ALL DIMENSIONS ARE IN INCHES <input type="checkbox"/> MILLIMETERS <input checked="" type="checkbox"/>		DRAWING BASED ON ANSI Y14.5M-1982	
EATON CORPORATION - CONFIDENTIAL AND PROPRIETARY NOTICE TO PERSONS RECEIVING THIS DRAWING AND / OR TECHNICAL INFORMATION		EATON	
THIS DOCUMENT, INCLUDING THE DRAWING AND INFORMATION CONTAINED THEREIN, IS CONFIDENTIAL AND IS THE EXCLUSIVE PROPERTY OF EATON CORPORATION AND IS NOT TO BE REPRODUCED, COPIED, OR DISCLOSED TO ANY OTHER PERSON OR ENTITY WITHOUT THE WRITTEN CONSENT OF EATON. IN THE EVENT OF A DISCREPANCY BETWEEN THIS DRAWING AND ANY OTHER DOCUMENT, THIS DRAWING SHALL PREVAIL. EATON CORPORATION - ALL RIGHTS RESERVED.		Powering Business Worldwide Eaton Hydraulics Inc. 14615 Lone Oak Road Eaton Prairie, MN 55544 USA	
TOLERANCES	DRN BY/DATE AGJ 11-24-03	MATERIAL/HEAT TREAT	
.XX ± REF	CHEK BY/DATE SMM 11-25-03		
.XXX ± ONLY	ENGR BY/DATE RTH 11-25-03	TITLE	2000 SERIES MOTOR PORT INSTALLATION
±	METALLURGY	NUMBER	A-673-042
UNSPECIFIED RADI ARE	THIRD ANGLE PROJECTION	MICROINCHES (MICROINCHES)	SCALE 1/1
UNSPECIFIED DRAFT ANGLES ARE	DO NOT SCALE	ARTHEMATICAL AVERAGE	SHEET 1 OF 1