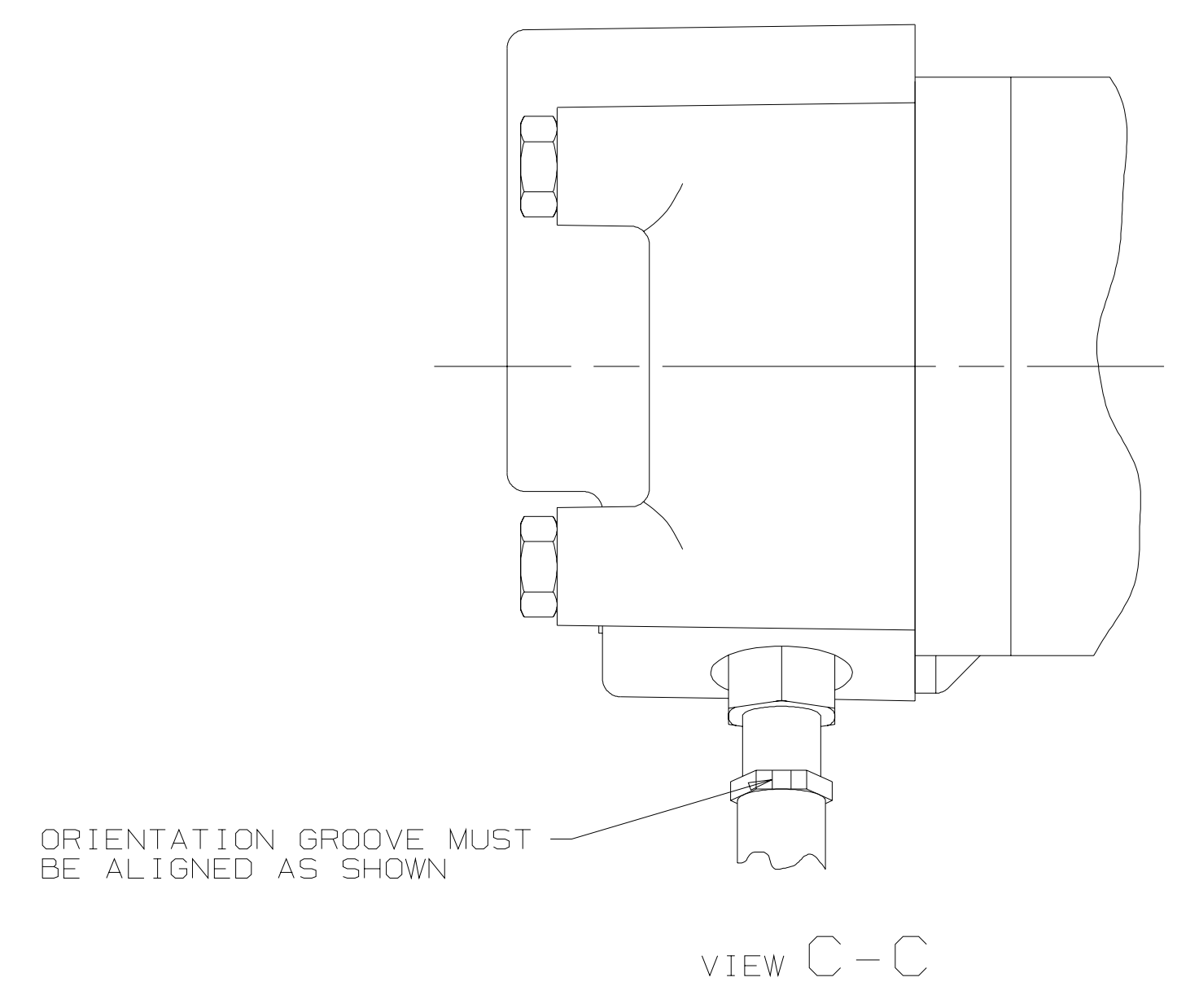
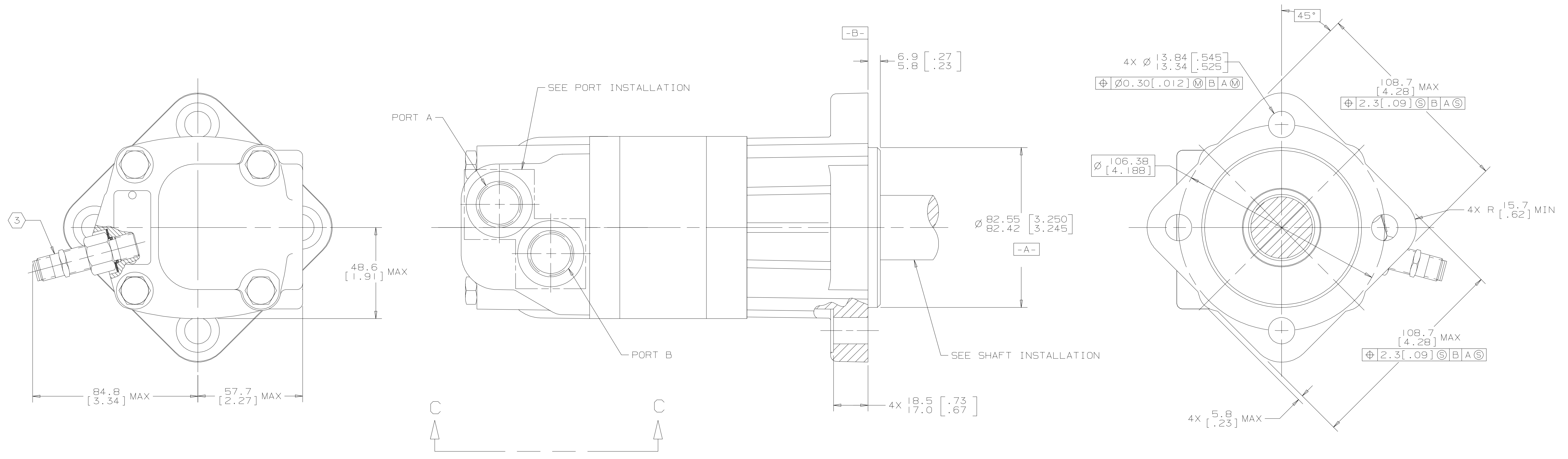


REV	DESCRIPTION	BY	CHK	DATE	ECN
A	ENGINEERING RELEASE	AGJ		4-2-04	M61448



NOTE

1 ROTATION:
 STANDARD: WHEN FACING SHAFT END OF MOTOR, SHAFT TO ROTATE;
 CLOCKWISE WHEN PORT "A" IS PRESSURIZED
 COUNTERCLOCKWISE WHEN PORT "B" IS PRESSURIZED

REVERSE: WHEN FACING SHAFT END OF MOTOR, SHAFT TO ROTATE;
 COUNTERCLOCKWISE WHEN PORT "B" IS PRESSURIZED
 CLOCKWISE WHEN PORT "A" IS PRESSURIZED

2 MOUNTING TYPE: AH
 STANDARD, 4 BOLT: Ø 82.6 [3.25] PILOT
 Ø 13.59 [.535] HOLES ON Ø 106.4 [4.19] BOLT CIRCLE

3 NOMINAL SENSOR OUTPUT WILL BE 30 ELECTRICAL PULSES PER SHAFT REVOLUTION
 SUPPLY VOLTAGE: 8 TO 28 Vdc
 OUTPUT VOLTAGE: LOW .5 Vdc AT 10 mA; HIGH Vs-1 Vdc

G S K

UNLESS OTHERWISE SPECIFIED ALL DIMENSIONS ARE IN		DRAWING BASED ON ANSI Y14.5M-1982	
INCHES <input type="checkbox"/>	MILLIMETERS <input checked="" type="checkbox"/>	THE REPRODUCTION, DISTRIBUTION, AND UTILIZATION OF THIS DOCUMENT, AS WELL AS THE COMMUNICATION OF ITS CONTENTS TO OTHERS WITHOUT EXPLICIT AUTHORIZATION IS PROHIBITED. OFFENDERS WILL BE HELD LIABLE FOR THE PAYMENT OF DAMAGES. ALL RIGHTS RESERVED IN THE EVENT OF THE GRANT OF A PATENT, UTILITY MODEL, OR DESIGN. (PER ISO 16016)	
TOLERANCES		DANFOSSE	
.X	----	DRAWN BY/DATE AGJ 4-6-04	MATERIAL/HEAT TREAT
.XX	----	CHECKED BY/DATE MLL 4-6-04	
.XXX	----	ENGR. BY/DATE TIM 4-7-04	TITLE
<	----	METALLURGY BY/DATE	2000 SERIES MOTOR INSTALL
UNSPECIFIED RADI	ARE		
UNSPECIFIED DRAFT ANGLES	ARE	THIRD ANGLE PROJECTION	NUMBER A-669-026
DRAWING FORMAT CAD <input checked="" type="checkbox"/> MANUAL <input type="checkbox"/>		DO NOT SCALE	SCALE 1/1 SHEET 1 OF 1