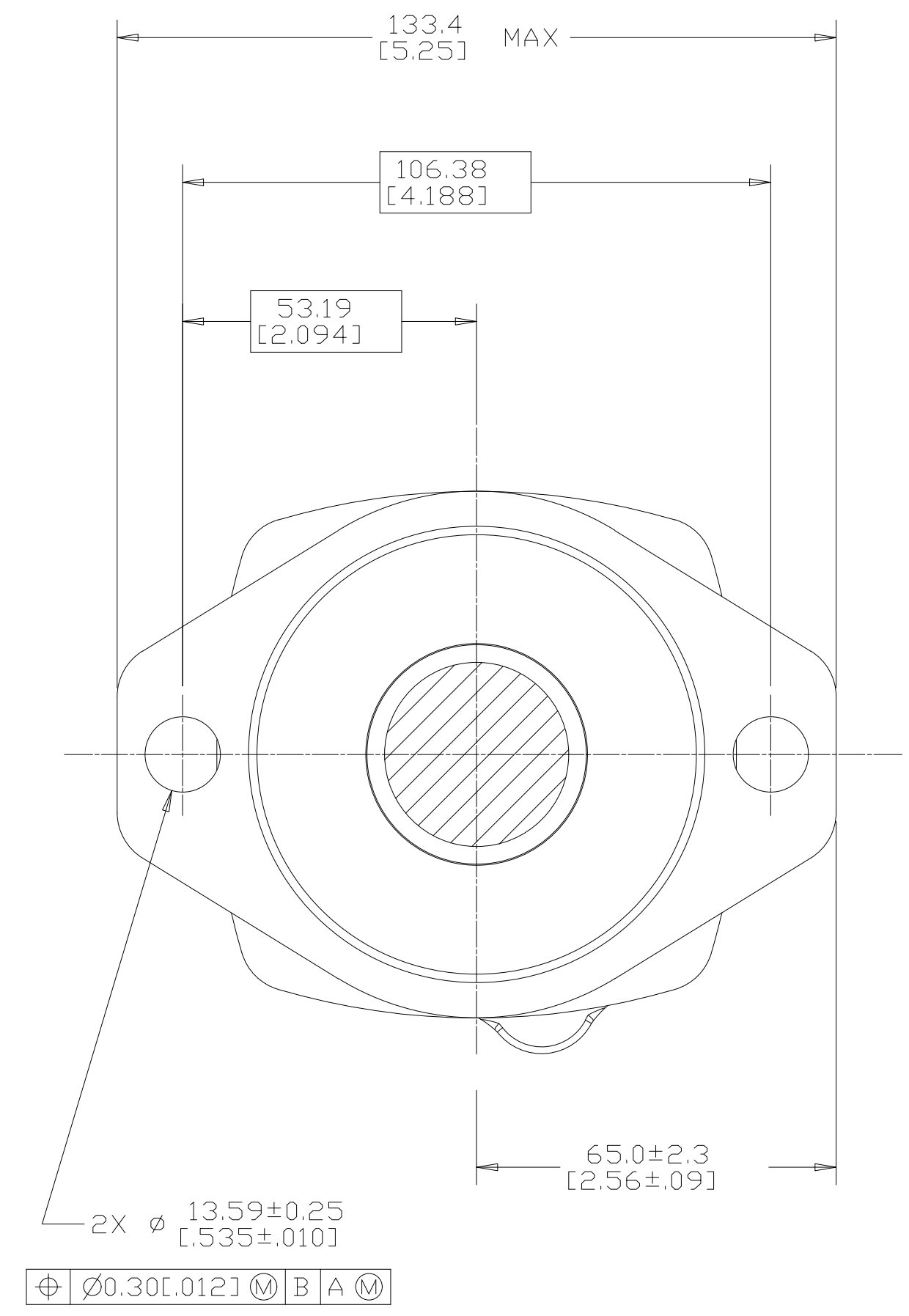
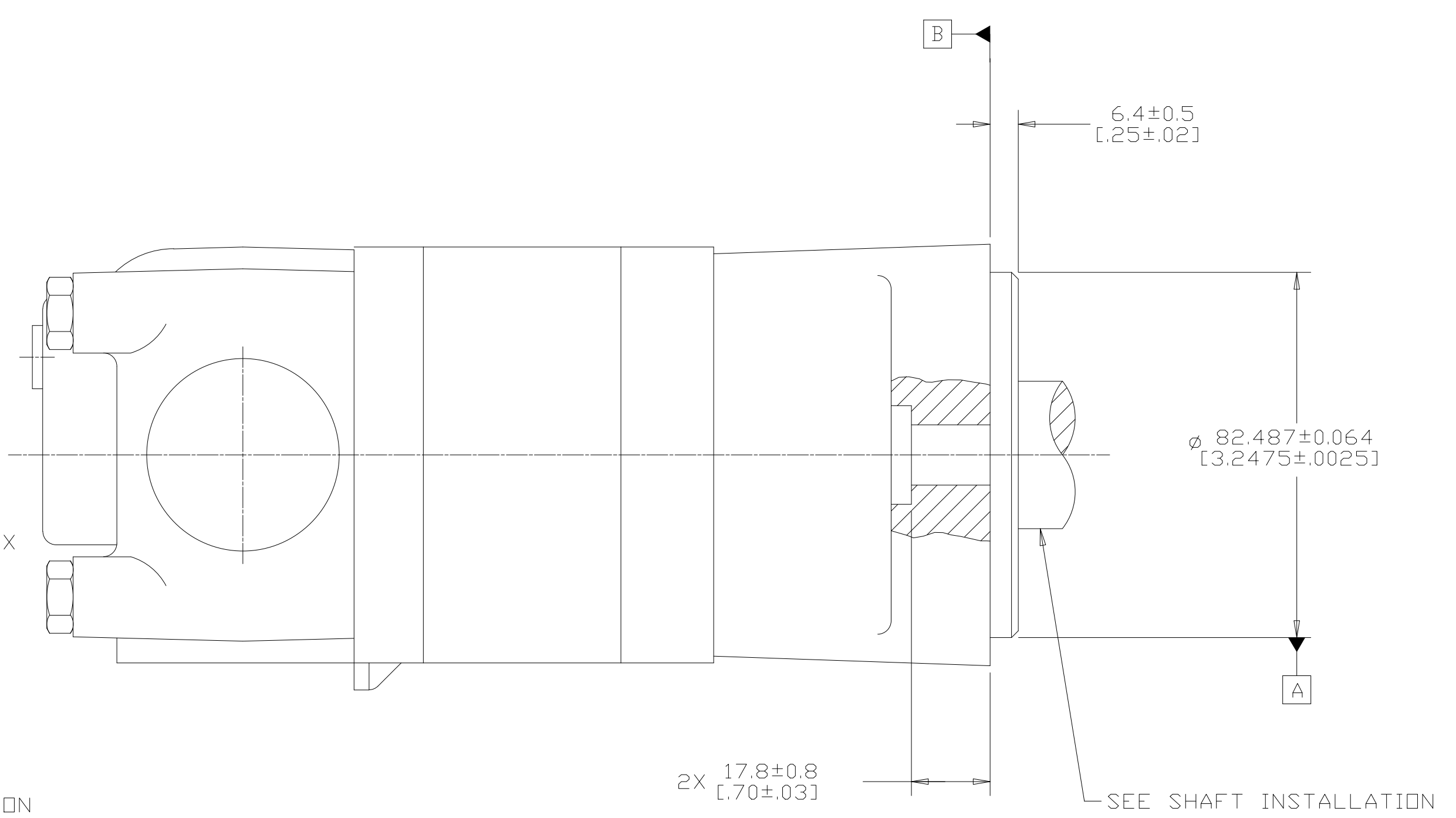
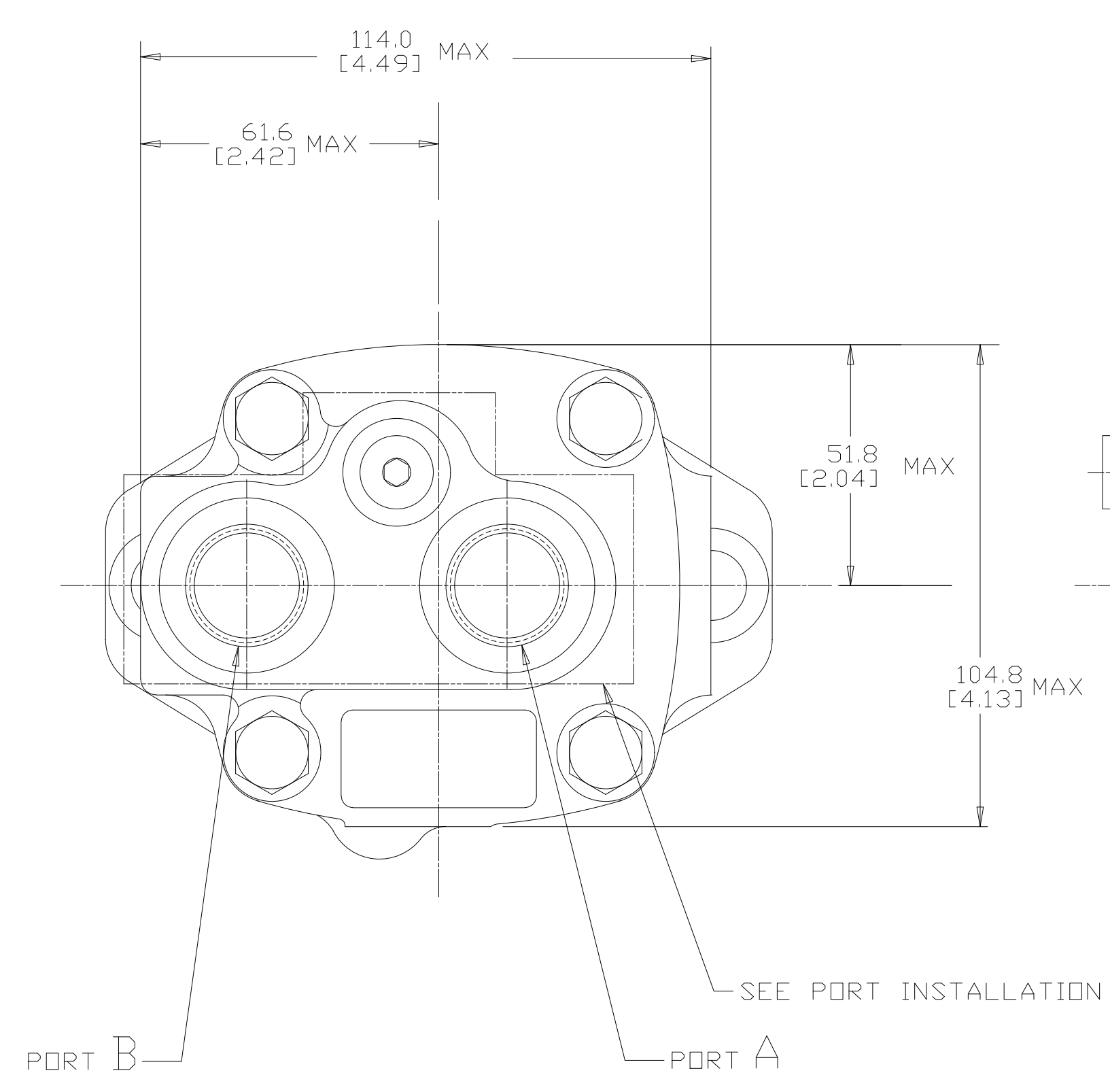


REV	REVISION	BY	DATE	ECN
A	ENGINEERING RELEASE	RAF	5/24/93	M8201
B	REVISED	AGJ	5-26-93	22833
C	<4>NOTE 2 WAS MOUNTING TYPE: C	AGJ	5/13/02	41044
D	REVISED FOR ASSY STACK-UP	SKS	9/24/09	M76994
E	-1>REVISED PICTORIALY-2>UPDATED TO ASME 2009 STANDARD -3><7C>REMOVED 117.9[4.64]MAX -4><7C>ADDED 114.0[4.49]MAX -5><7C>REMOVED 58.2±1.5[2.29±.06] -6><7C>ADDED 61.6[2.42]MAX -7><7C>51.8[2.08] WAS 48.5[1.91] -8><6B>REMOVED 57.7[2.27]MAX -9><6B>ADDED 105.9[4.17] MAX-10><6B>ADDED 12.4[.49] MAX	NRI	7/16/15	M97425
F	-1><7B><5B><1B> REVISED PICTORIALY -2><7B> REMOVED 12.4 [4.9] MAX -3><6B> 104.8 [4.13] WAS 105.9 [4.17]	CSG	2/09/16	M99579



NOTE

1 ROTATION:  
 STANDARD: WHEN FACING SHAFT END OF MOTOR, SHAFT TO ROTATE;  
 CLOCKWISE WHEN PORT "A" IS PRESSURIZED  
 COUNTERCLOCKWISE WHEN PORT "B" IS PRESSURIZED  
 REVERSE: WHEN FACING SHAFT END OF MOTOR, SHAFT TO ROTATE;  
 CLOCKWISE WHEN PORT "B" IS PRESSURIZED  
 COUNTERCLOCKWISE WHEN PORT "A" IS PRESSURIZED

2 MOUNTING TYPE: AC  
 STANDARD, 2 BOLT: Ø 82.6 [3.25] PILOT  
 Ø 13.59 [.535] HOLES DN Ø 106.4 [4.19]  
 BOLT CIRCLE "SAE A"

REVIEWED FOR CLASSIFICATION PER ESP-042

DRAWING BASED ON ASME Y14.5-2009

UNLESS OTHERWISE SPECIFIED ALL DIMENSIONS ARE IN: INCHES  MILLIMETERS

TOLERANCES: XX ± REF, XXX ± ONLY

UNSPECIFIED RADII ARE:  UNLESS OTHERWISE SPECIFIED

UNSPECIFIED DRAFT ANGLES ARE:  UNLESS OTHERWISE SPECIFIED

DRAWING FORMAT: CADD  MANUAL

THIRD ANGLE PROJECTION:  DO NOT SCALE

ARITHMETICAL AVERAGE:

MATERIAL/HEAT TREAT: \_\_\_\_\_

TITLE: 2000 SERIES MOTOR INSTALL

NUMBER: A-665-003

SCALE: 1/1 SHEET 1 OF 1

THE REPRODUCTION, DISTRIBUTION AND UTILIZATION OF THIS DOCUMENT AS WELL AS THE COMMUNICATION OF ITS CONTENTS TO OTHER WITHOUT EXPLICIT AUTHORIZATION IS PROHIBITED. OFFENDERS WILL BE HELD LIABLE FOR THE PAYMENT OF DAMAGES. ALL RIGHT RESERVED IN THE EVENT OF THE GRANT OF A PATENT, UTILITY MODEL OR DESIGN. (PER ISO 16016)

*Danfoss*