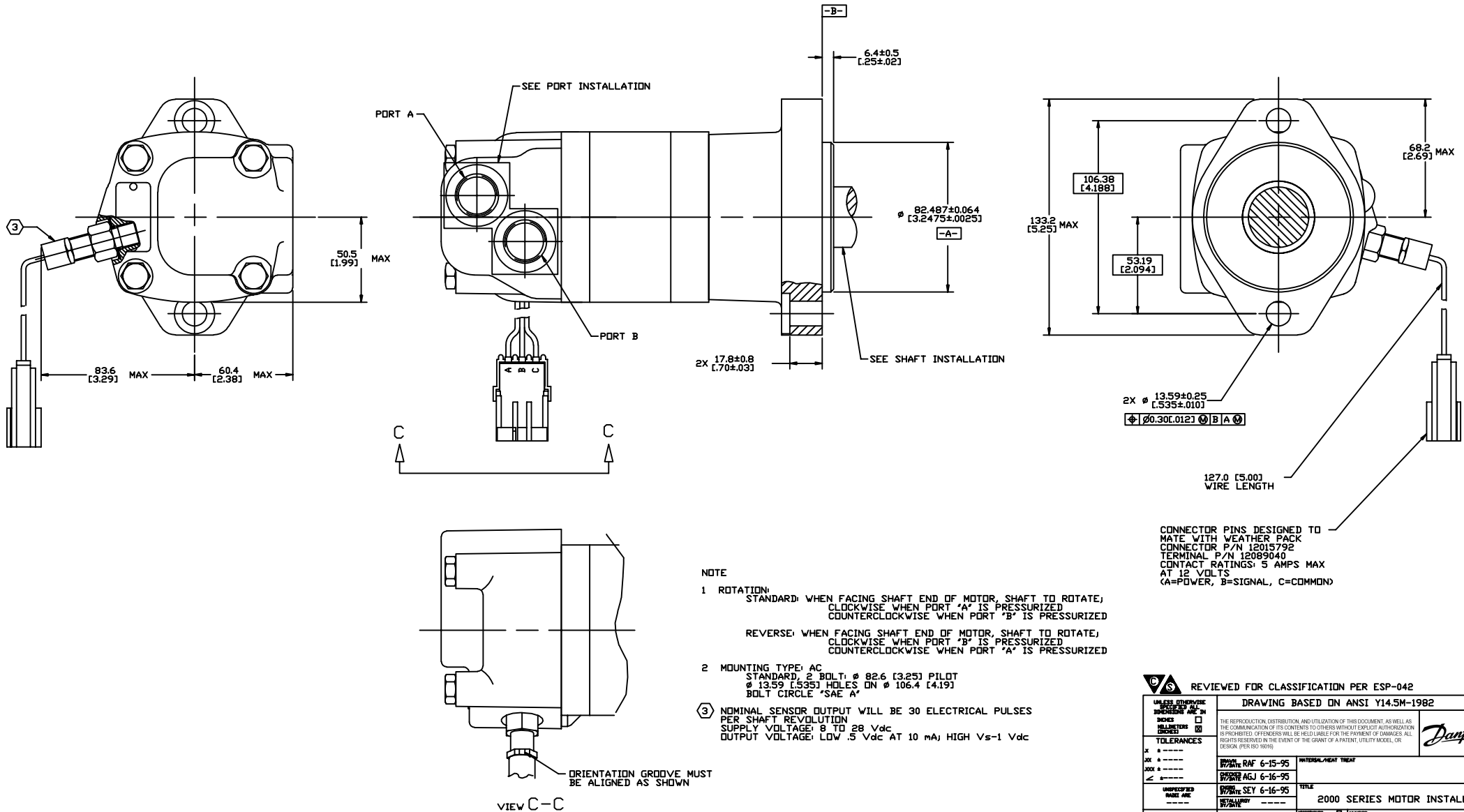


REV	DESCRIPTION	BY	CHK	DATE	ECN
A	ENGINEERING RELEASE	RAF		6-14-95	M13604
B	(6A)ADDED VIEW C-C	AGJ		10-7-99	33309
C	(4A)NOTE B WAS MOUNTING TYPE: C	AGJ		5-13-02	41044
D	REVISED FOR STACK UP	HRK		8-23-10	M79864



UNLESS OTHERWISE SPECIFIED ALL DIMENSIONS ARE IN MILLIMETERS		DRAWING BASED ON ANSI Y14.5M-1982	
TOLERANCES		REPRODUCTION, DISTRIBUTION, AND UTILIZATION OF THIS DOCUMENT, AS WELL AS THE COMMUNICATION OF ITS CONTENTS TO OTHERS WITHOUT EXPRESS AUTHORIZATION IS PROHIBITED. OFFENDERS WILL BE HELD LIABLE FOR THE PAYMENT OF DAMAGES. ALL RIGHTS RESERVED IN THE EVENT OF THE GRANT OF A PATENT, UTILITY MODEL, OR DESIGN. (PER ISO 10018)	
XX ±	XXXX ±	DATE	REVISION
UNSPECIFIED HOLE ARE	UNSPECIFIED HOLE ARE	DATE	REVISION
UNSPECIFIED DRIFT ANGLES ARE	UNSPECIFIED DRIFT ANGLES ARE	DATE	REVISION
D SIZE	THIRD ANGLE PROJECTION	DO NOT SCALE	ISOMETRIC ANGLE
TITLE		NUMBER	
2000 SERIES MOTOR INSTALL		A-665-016	
SCALE 1/1		SHEET 1 OF 1	