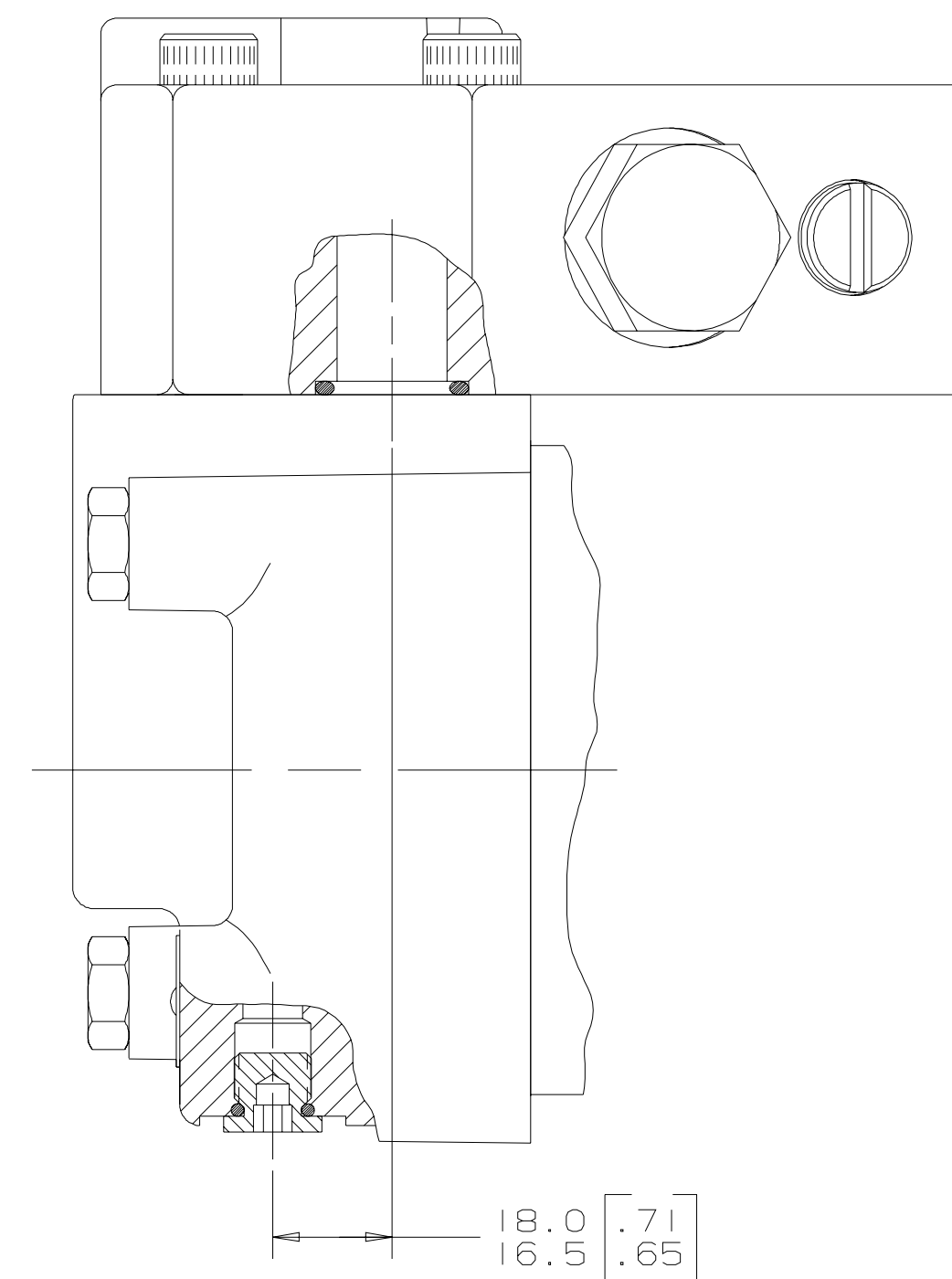
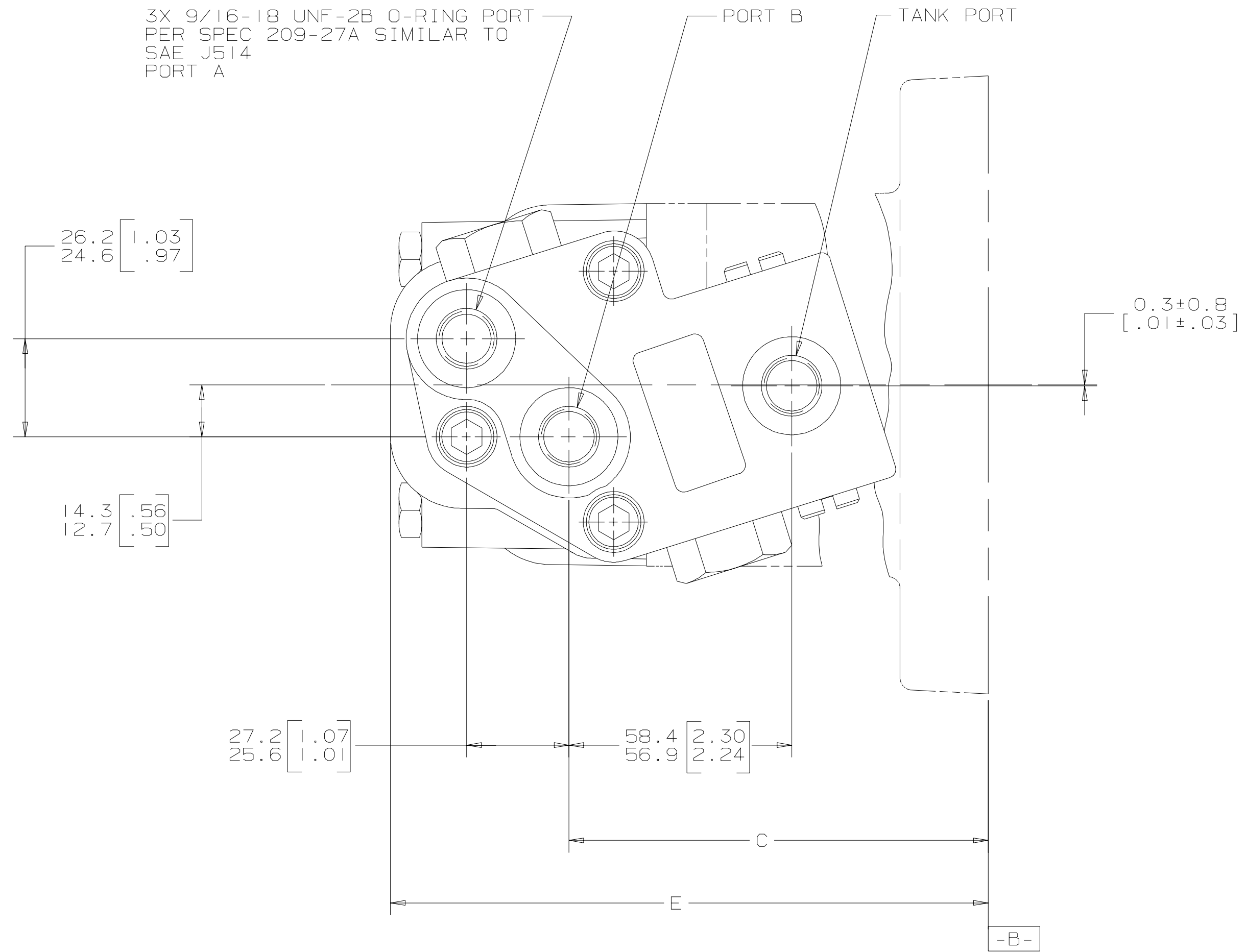
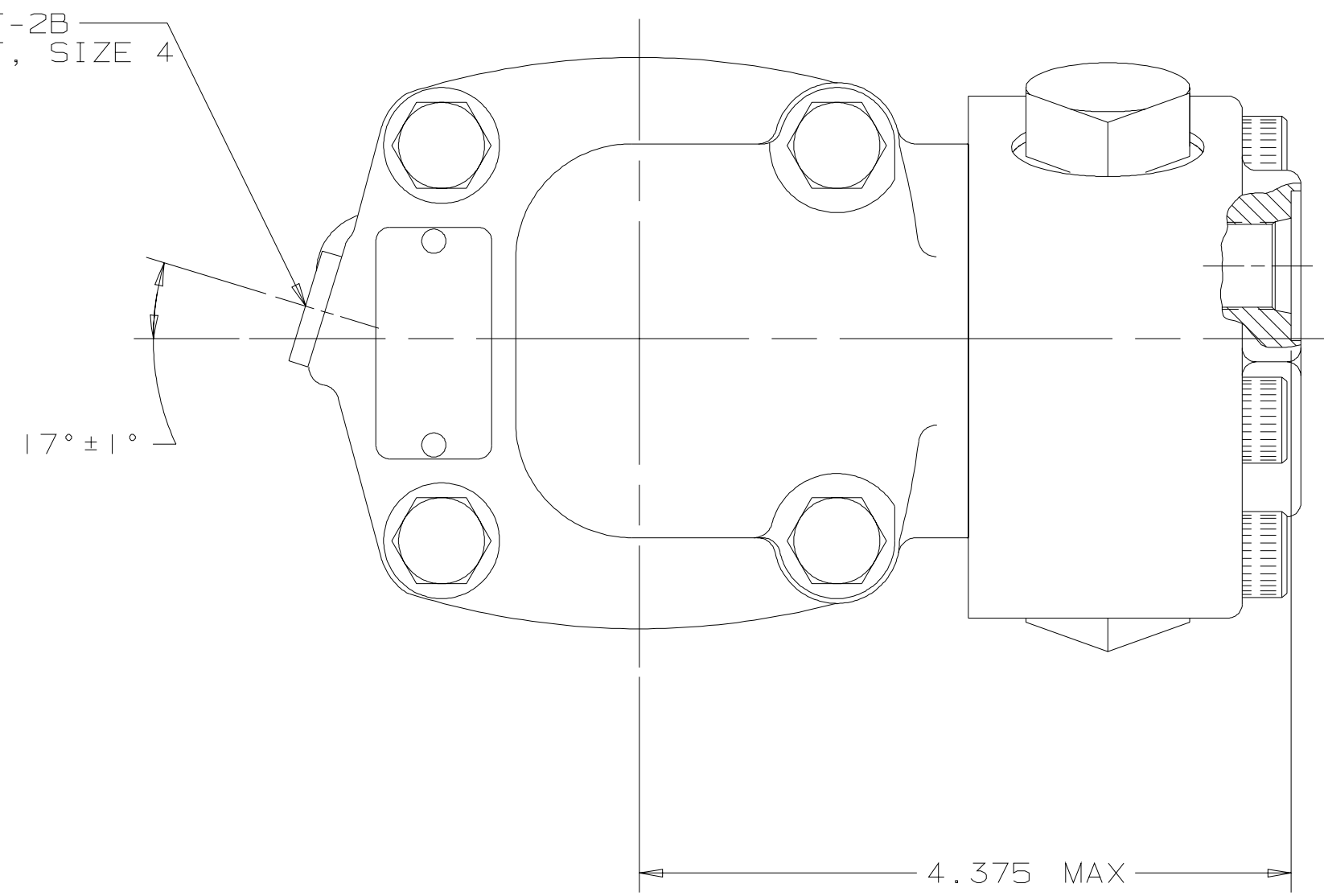


MOUNTING TYPE AA		
DISP	C	E MAX
049	146.6-149.4 [5.77-5.88]	195.1 [7.68]
062		
080		
096	157.5-160.3 [6.20-6.31]	206.0 [8.11]
119	164.3-167.1 [6.47-6.58]	212.9 [8.38]
149	173.2-176.0 [6.82-6.93]	222.0 [8.74]
187	184.7-187.5 [7.27-7.38]	233.2 [9.18]
240	211.8-214.9 [8.34-8.46]	260.6 [10.26]
298		

SYM	REVISION	BY	DATE	ECN
A	ENGINEERING RELEASE	AGJ	5-26-93	22833
B	(A2)NOTE 1 ADDED ...AND U	GCB	8-29-96	M15817B
C	(8D)ADDED TO TAB 211.8-214.9[8.34-8.46] AND 260.6[10.26]	GCB	10-30-96	28821
D	-1)REVISED MOUNTING TAB CODES -2)NOTE 1 WAS PORT OPTION: K & U -2)ADDED NOTE 2	AGJ	5-13-02	41044
E	REVISED DISPLACEMENT FOR TABULATION BLOCKS	RG	6-26-06	56090

7/16-20 UNF-2B  
O-RING PORT, SIZE 4  
CASE DRAIN



- NOTE
- PORT OPTION: AH
  - CASE FLOW OPTION: 01 OR 07

G K S

UNLESS OTHERWISE SPECIFIED ALL DIMENSIONS ARE IN		DRAWING BASED ON ANSI Y14.5M-1982	
INCHES <input type="checkbox"/>	MILLIMETERS <input checked="" type="checkbox"/>	THE REPRODUCTION, DISTRIBUTION, AND UTILIZATION OF THIS DOCUMENT, AS WELL AS THE COMMUNICATION OF ITS CONTENTS TO OTHERS WITHOUT EXPLICIT AUTHORIZATION IS PROHIBITED. OFFENDERS WILL BE HELD LIABLE FOR THE PAYMENT OF DAMAGES. ALL RIGHTS RESERVED IN THE EVENT OF THE GRANT OF A PATENT, UTILITY MODEL, OR DESIGN. (PER ISO 16016)	
TOLERANCES			
.XX +REF	.XXX +ONLY		
DRWN BY/DATE	A. JOHNSON 6-10-93	MATERIAL/HEAT TREAT	
CHECKED BY/DATE	SDR 6-24-93		
UNSPECIFIED RADII ARE	ENGRD BY/DATE SZ 6-28-93	TITLE 2000 SERIES MOTOR PORT INSTALLATION	
UNSPECIFIED DRAFT ANGLES ARE	METALLURGY BY/DATE	NUMBER A-673-012	
DRAWING FORMAT CADD <input checked="" type="checkbox"/> MANUAL <input type="checkbox"/>	THIRD ANGLE PROJECTION	SCALE 1/1	SHEET 1 OF 1
	DO NOT SCALE	ARITHMETICAL AVERAGE	