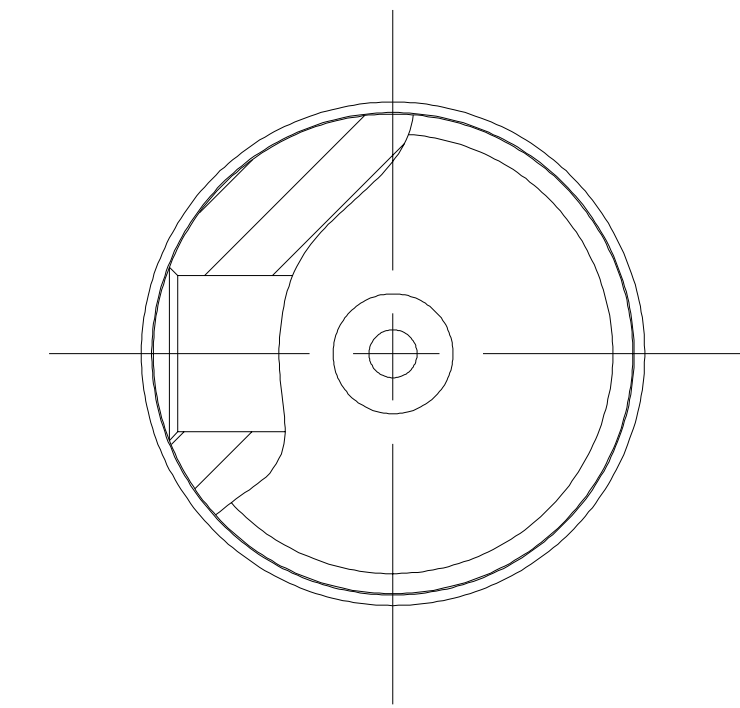
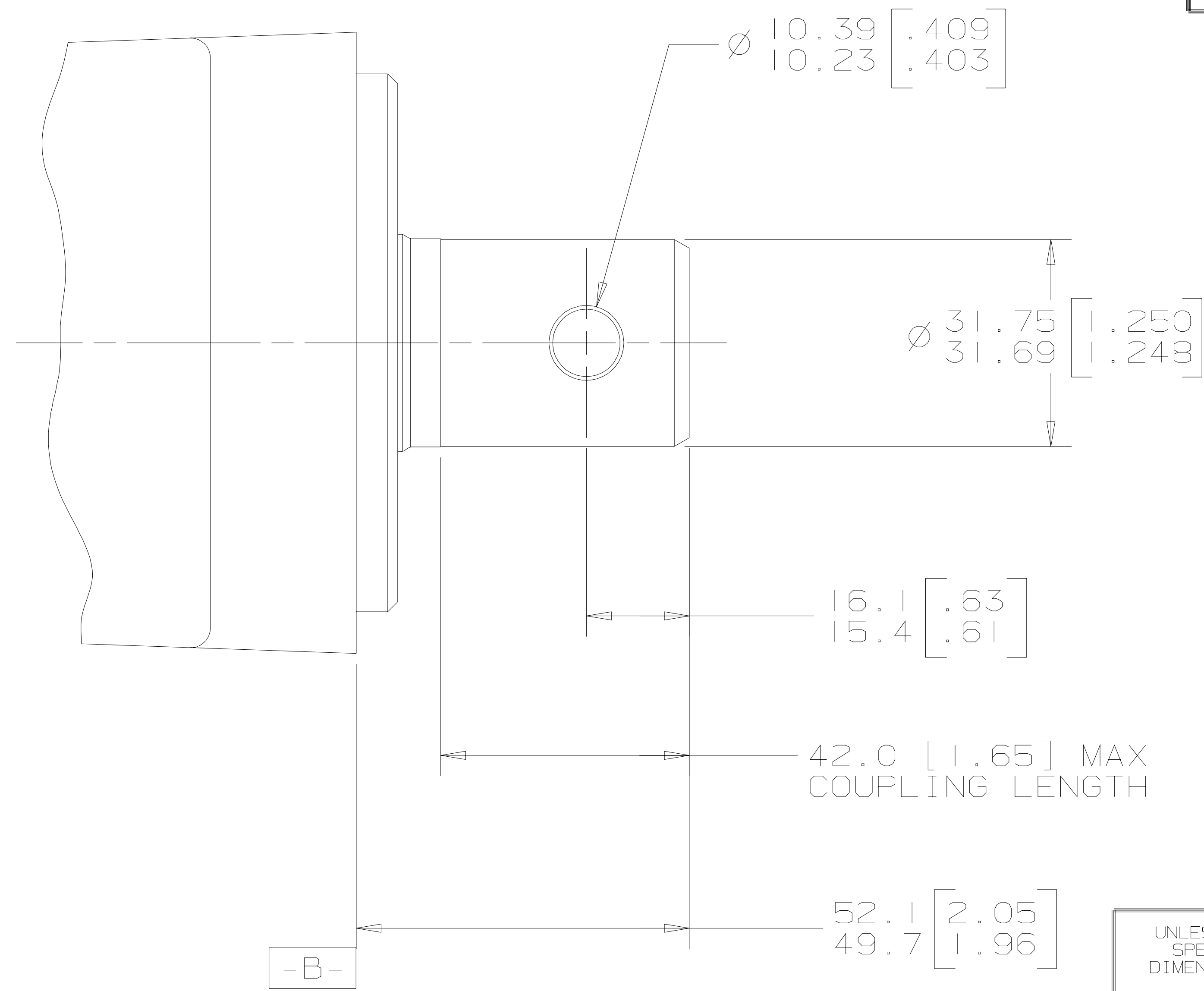


REV	DESCRIPTION	BY	DATE	ECN
A	ENGINEERING RELEASE	AGJ	5-26-93	22833
B	NOTE 1 WAS MOUNTING TYPE: OPTION C	AGJ	5-13-02	41044
C	52.1/49.7 [2.05/1.96] WAS 52.4/49.7 [2.06/1.96]	AGJ	5-17-04	47918



G K S

NOTE

- 1 MOUNTING TYPE: OPTION AC, BA & BE
- 2 OUTPUT SHAFT: OPTION 09

UNLESS OTHERWISE SPECIFIED ALL DIMENSIONS ARE IN		DRAWING BASED ON ANSI Y14.5M-1982																	
INCHES <input type="checkbox"/>	MILLIMETERS [INCHES] <input checked="" type="checkbox"/>	THE REPRODUCTION, DISTRIBUTION, AND UTILIZATION OF THIS DOCUMENT, AS WELL AS THE COMMUNICATION OF ITS CONTENTS TO OTHERS WITHOUT EXPLICIT AUTHORIZATION IS PROHIBITED. OFFENDERS WILL BE HELD LIABLE FOR THE PAYMENT OF DAMAGES. ALL RIGHTS RESERVED IN THE EVENT OF THE GRANT OF A PATENT, UTILITY MODEL, OR DESIGN. (PER ISO 16016)																	
TOLERANCES		<table border="1"> <tr> <td>DRAWN BY/DATE</td> <td>A. JOHNSON 3-16-93</td> <td>MATERIAL/HEAT TREAT</td> <td></td> </tr> <tr> <td>CHECKED BY/DATE</td> <td>SDR 6-24-93</td> <td>TITLE</td> <td>2000 SERIES MOTOR SHAFT INSTALLATION</td> </tr> <tr> <td>ENGRG BY/DATE</td> <td>SJZ 6-28-93</td> <td>NUMBER</td> <td>A-683-009</td> </tr> <tr> <td>METALLURGY BY/DATE</td> <td>-----</td> <td>SCALE</td> <td>1/1</td> </tr> </table>		DRAWN BY/DATE	A. JOHNSON 3-16-93	MATERIAL/HEAT TREAT		CHECKED BY/DATE	SDR 6-24-93	TITLE	2000 SERIES MOTOR SHAFT INSTALLATION	ENGRG BY/DATE	SJZ 6-28-93	NUMBER	A-683-009	METALLURGY BY/DATE	-----	SCALE	1/1
DRAWN BY/DATE	A. JOHNSON 3-16-93	MATERIAL/HEAT TREAT																	
CHECKED BY/DATE	SDR 6-24-93	TITLE	2000 SERIES MOTOR SHAFT INSTALLATION																
ENGRG BY/DATE	SJZ 6-28-93	NUMBER	A-683-009																
METALLURGY BY/DATE	-----	SCALE	1/1																
.X ±----	.XX ±REF	<table border="1"> <tr> <td>MICROINCHES <input type="checkbox"/></td> <td>MICROMETERS [MICROINCHES] <input type="checkbox"/></td> <td>SHEET</td> <td>1 OF 1</td> </tr> <tr> <td colspan="2">ARITHMETICAL AVERAGE <input checked="" type="checkbox"/></td> <td colspan="2"></td> </tr> </table>		MICROINCHES <input type="checkbox"/>	MICROMETERS [MICROINCHES] <input type="checkbox"/>	SHEET	1 OF 1	ARITHMETICAL AVERAGE <input checked="" type="checkbox"/>											
MICROINCHES <input type="checkbox"/>	MICROMETERS [MICROINCHES] <input type="checkbox"/>	SHEET	1 OF 1																
ARITHMETICAL AVERAGE <input checked="" type="checkbox"/>																			
.XXX ±ONLY	< ±----	<table border="1"> <tr> <td>UNSPECIFIED RADII ARE</td> <td>-----</td> <td colspan="2">THIRD ANGLE PROJECTION</td> </tr> <tr> <td>UNSPECIFIED DRAFT ANGLES ARE</td> <td>-----</td> <td colspan="2">DO NOT SCALE</td> </tr> </table>		UNSPECIFIED RADII ARE	-----	THIRD ANGLE PROJECTION		UNSPECIFIED DRAFT ANGLES ARE	-----	DO NOT SCALE									
UNSPECIFIED RADII ARE	-----	THIRD ANGLE PROJECTION																	
UNSPECIFIED DRAFT ANGLES ARE	-----	DO NOT SCALE																	
DRAWING FORMAT CADD <input checked="" type="checkbox"/> MANUAL <input type="checkbox"/>																			