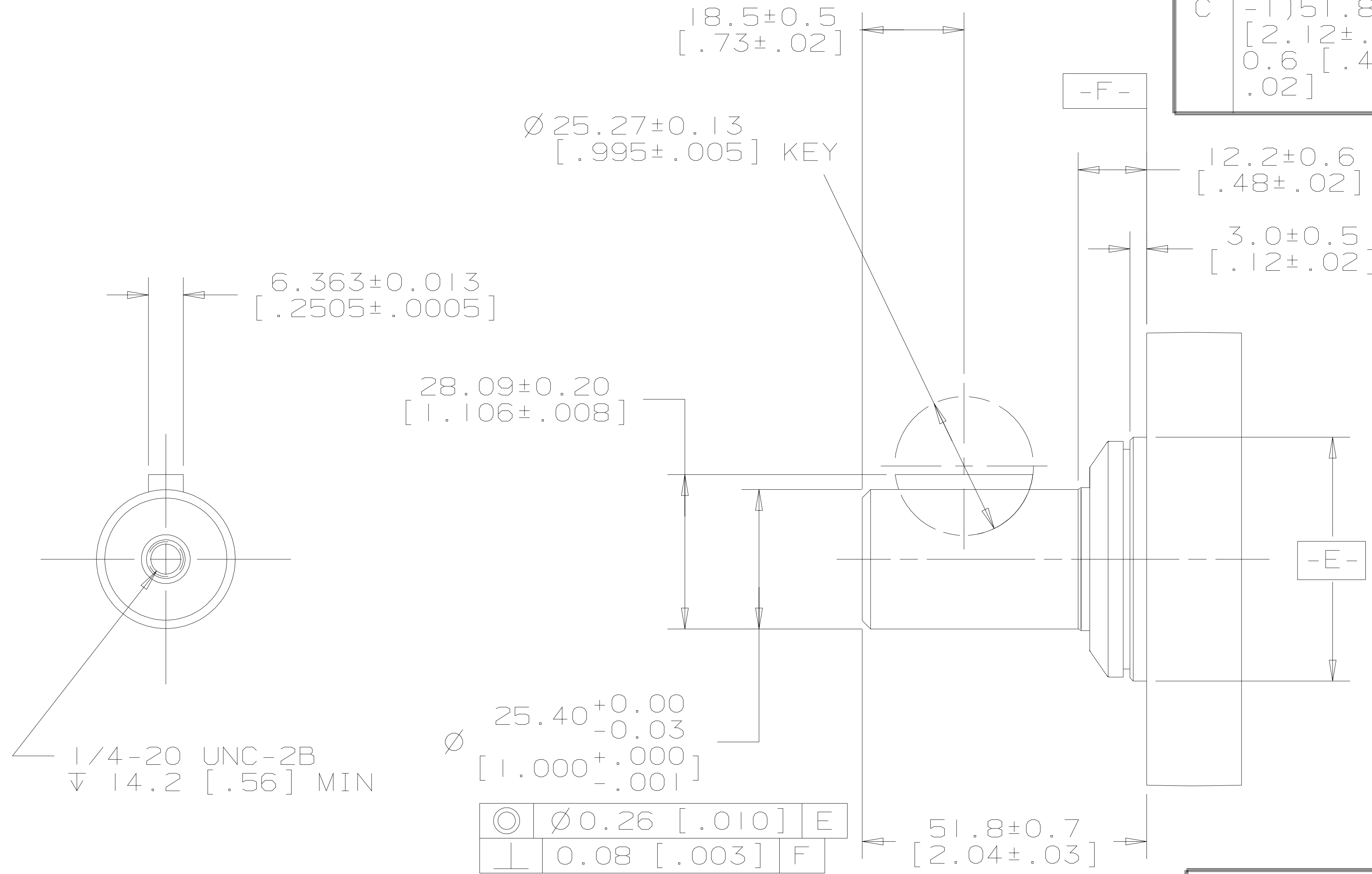


REV	DESCRIPTION	BY	CHK	DATE	ECN
A	RELEASE FOR SAMPLES AND ESTIMATE	RAF		1-29-99	M21167
B	ENGINEERING RELEASE	RG		1-02-07	0001994
C	-1) 51.8±0.7 [2.04±.03] WAS 53.8±.8 [2.12±.03] -2) ADDED [-E-] -3) 12.2±0.6 [.48±.02] WAS 12.4±0.5 [.49±.02]	CSG	SSD	8-29-12	0043282



⊙	∅0.26 [.010]	E
⊥	0.08 [.003]	F

C S REVIEWED FOR CLASSIFICATION PER ESP-042

OUTPUT SHAFT:
 01 - 1.00/25.4 DIA STRAIGHT WITH WOODRUFF KEY AND .250-20 THREADED HOLE

UNLESS OTHERWISE SPECIFIED ALL DIMENSIONS ARE IN INCHES <input type="checkbox"/> MILLIMETERS [INCHES] <input checked="" type="checkbox"/>	DRAWING BASED ON ANSI Y14.5M-1982	
	THE REPRODUCTION, DISTRIBUTION, AND UTILIZATION OF THIS DOCUMENT, AS WELL AS THE COMMUNICATION OF ITS CONTENTS TO OTHERS WITHOUT EXPLICIT AUTHORIZATION IS PROHIBITED. OFFENDERS WILL BE HELD LIABLE FOR THE PAYMENT OF DAMAGES. ALL RIGHTS RESERVED IN THE EVENT OF THE GRANT OF A PATENT, UTILITY MODEL, OR DESIGN. (PER ISO 16016)	
TOLERANCES .X ± ---- .XX ± ---- .XXX ± ---- < ± ----	DRAWN BY/DATE RAF 3-10-99 CHECKED BY/DATE AGJ 3-11-99 ENGRG BY/DATE RVA 3-11-99 METALLURGY BY/DATE -----	MATERIAL/HEAT TREAT TITLE SHAFT INSTALLATION
UNSPECIFIED RADII ARE ----	MICROINCHES <input checked="" type="checkbox"/> MICROMETERS [MICROINCHES] <input type="checkbox"/> 250/ ARITHMETICAL AVERAGE	NUMBER A-109-075 SCALE 1/1 SHEET 1 OF
UNSPECIFIED DRAFT ANGLES ARE ----	THIRD ANGLE PROJECTION DO NOT SCALE	
DRAWING FORMAT CADD <input checked="" type="checkbox"/> MANUAL <input type="checkbox"/>		

