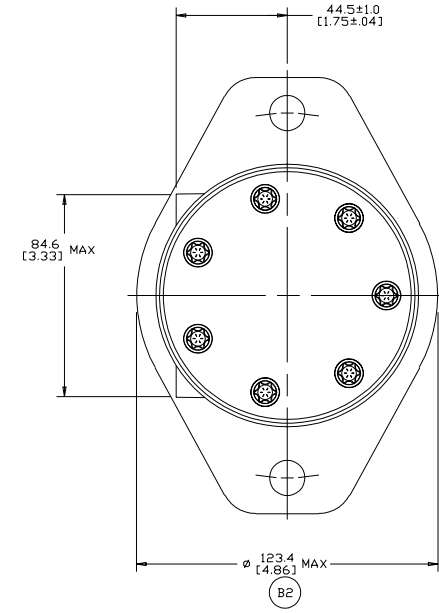
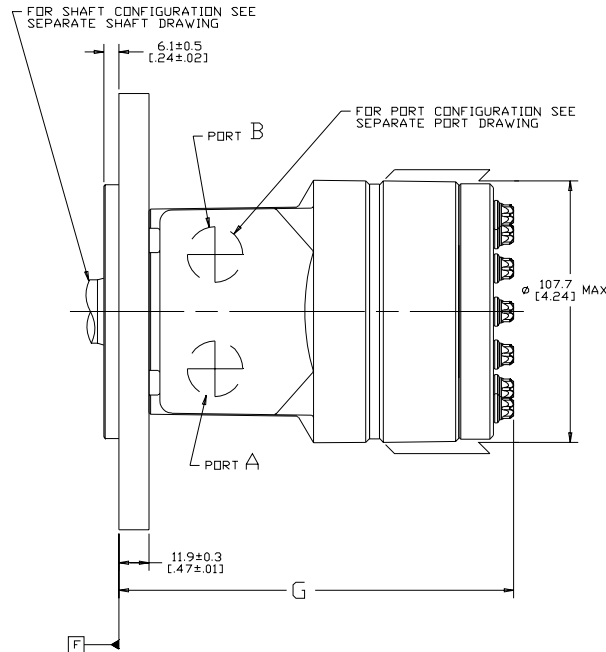
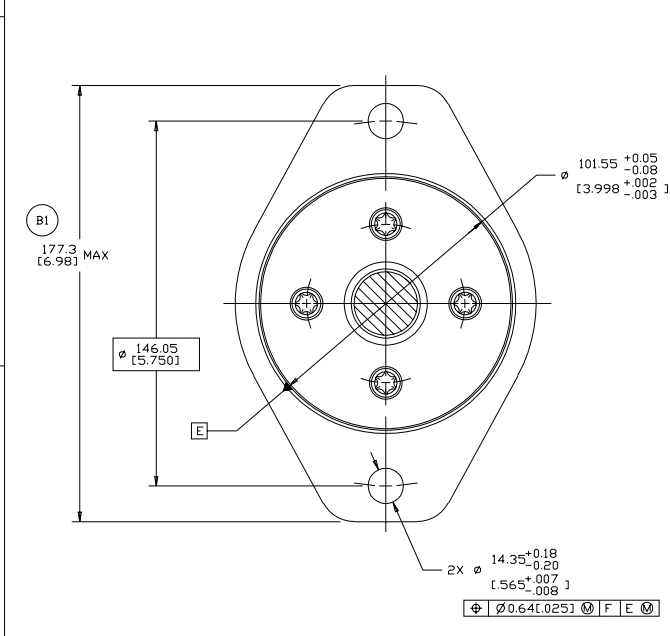


DISP. CODE	G	MAX
036		134.7 [5.30]
046		137.0 [5.39]
057		139.2 [5.48]
073		142.7 [5.62]
088		145.8 [5.74]
101		148.5 [5.85]
114		151.2 [5.95]
137		156.1 [6.14]
182		165.7 [6.52]
227		175.1 [6.89]

REV	DESCRIPTION	BY	CHK	DATE	ECN
A	ENGINEERING RELEASE	SMM		06-09-04	48257
B	-1X(8C) WAS 177.1X[6.97] MAX -2X(2B) WAS Ø122.2X[4.81] MAX	SRM		04-07-04	ECR8166
C	-1X(8D)UPDATED G MAX TAB -2X(2D)44.5±1.0[1.75±0.4] WAS 44.5±0.3[1.75±0.1] -3REVISED NOTE 2 -4XUPDATED DRAWING TO ASME Y14.5-2009 STANDARD	AAB		03-16-16	M100040
D	(8A) NOTE 3 WAS CASE DRAIN : 0...	TTV	CSG	04-08-16	0070053



NOTE

1 ROTATION:
STANDARD; WHEN FACING SHAFT END OF MOTOR, SHAFT TO ROTATE CLOCKWISE WHEN PORT "A" IS PRESSURIZED. COUNTERCLOCKWISE WHEN PORT "B" IS PRESSURIZED.
REVERSE ; WHEN FACING SHAFT END OF MOTOR, SHAFT TO ROTATE CLOCKWISE WHEN PORT "B" IS PRESSURIZED. COUNTERCLOCKWISE WHEN PORT "A" IS PRESSURIZED.

2 MOUNTING FLANGE:
DD = 2 BOLT STD. Ø101.60 [4.000] DIA. X 6.1 [2.4] PILOT. Ø14.35 [0.565] MOUNTING HOLES DN Ø146.05 [5.750] B.C. <SAE "B"

3 CASE DRAIN:
00 = NO CASE DRAIN

REVIEWED FOR CLASSIFICATION PER ESP-042

DRAWING BASED ON ASME Y14.5-2009

UNLESS OTHERWISE SPECIFIED DIMENSIONS ARE IN: INCHES MILLIMETERS

TOLERANCES:
X ± ----
XX ± ----
XXX ± ----
Z ----

UNSPECIFIED RADI ARE: ---
METALLURGY: ---
BY DATE: ---

UNSPECIFIED DRAFT ANGLES ARE: ---
THIRD ANGLE PROJECTION: NOT SCALE

DRAWING FORMAT: CASE MANUAL

THE REPRODUCTION, DISTRIBUTION AND UTILIZATION OF THIS DOCUMENT, AS WELL AS THE COMMUNICATION OF ITS CONTENTS TO OTHERS WITHOUT EXPRESS AUTHORIZATION IS PROHIBITED. OFFENDERS WILL BE HELD LIABLE FOR THE PAYMENT OF DAMAGES. ALL RIGHTS RESERVED IN THE EVENT OF A PATENT, UTILITY MODEL, OR DESIGN. (PER ISO 10116)

DRAWN: SMM 07-02-04
BY DATE: 07-06-04
CHECKED: AGJ 07-06-04
DATE: 07-06-04

TITLE: S MOTOR INSTALLATION

MATERIAL/HEAT TREAT: ---

NUMBER: A-1470-004

SCALE: 1/1 SHEET 1 OF 1

Danfoss