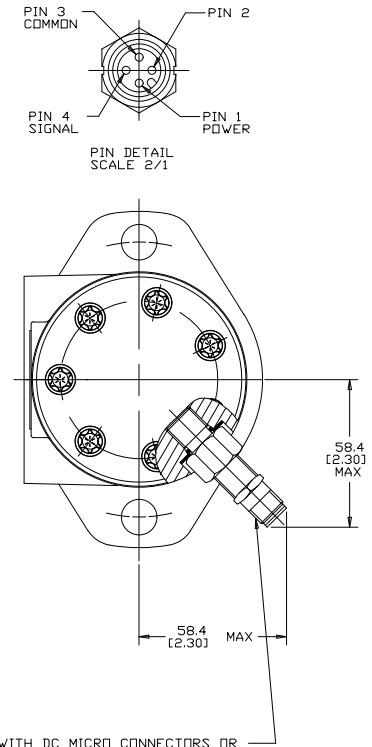
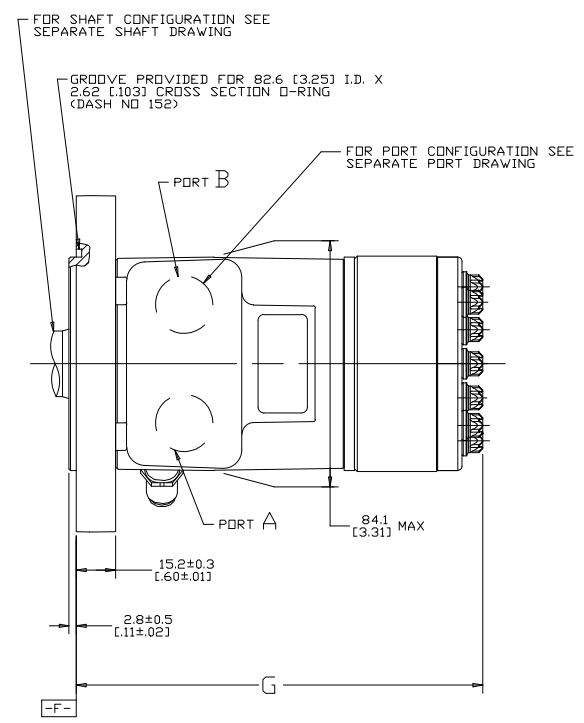
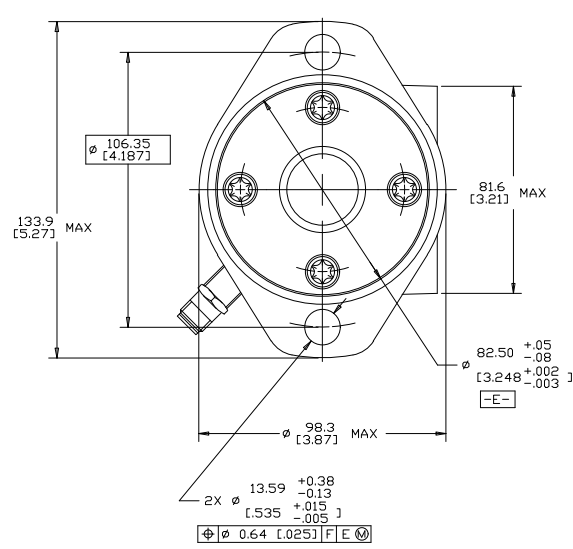


DISPLACEMENT CODE	G	MAX
022	132.7	[5.22]
025	133.5	[5.26]
028	132.7	[5.22]
035	136.5	[5.37]
045	136.5	[5.37]
059	139.5	[5.49]
073	142.8	[5.62]
089	146.4	[5.76]
097	148.2	[5.84]
113	151.7	[5.97]
141	158.1	[6.22]
179	166.7	[6.56]
226	177.1	[6.97]
451	228.0	[8.98]

REV	DESCRIPTION	BY	CHK	DATE	ECN
A	ENGINEERING RELEASE	SMM		12-18-02	M29663
B	-1(X)C WAS 131.4/[5.17] MAX -2(X)B WAS 96.8/[3.81] MAX	SJP		04-07-04	46856
C	-1(REVISED PICTORIAL) -2(X)D UPDATED TABULATION FOR G MAX -3(REVISED NOTE AS PER ESP-022-69	AAB		02-17-04	0054755
D	(2)ADDED DANFOSS LOGO TO END CAP	AAB		01-22-15	0061684
E	(5)NOTE 3 WAS CASE DRAIN: 0 = NO ...	YUP		07-27-15	0065202
F	(2)REMOVED DANFOSS LOGO	SSD		04-23-21	0131343



MATES WITH DC MICRO CONNECTORS OR EQUIVALENT:
 TURCK EURDFAST WKCV 4T CABLE
 BRAD HARRISON MICRO-CHANGE SINGLE KEYWAY PLUGS
 LUMBERG 'MICRO' STYLE 12mm DC CONNECTOR

- NOTE
- ROTATION:
 STANDARD: WHEN FACING SHAFT END OF MOTOR, SHAFT TO ROTATE CLOCKWISE WHEN PORT 'A' IS PRESSURIZED
 COUNTERCLOCKWISE WHEN PORT 'B' IS PRESSURIZED
 REVERSE: WHEN FACING SHAFT END OF MOTOR, SHAFT TO ROTATE COUNTERCLOCKWISE WHEN PORT 'A' IS PRESSURIZED
 COUNTERCLOCKWISE WHEN PORT 'B' IS PRESSURIZED
 - MOUNTING FLANGE: AA = 2 BOLT STD: Ø82.50 [3.248] X 3.05 [0.120] PILOT Ø13.59 [0.535] MOUNTING HOLES DN 106.35 [4.187] DIA. B.C.
 - CASE DRAIN: 00 = NO CASE DRAIN
 - SENSOR OUTPUT WILL BE 15 ELECTRICAL PULSES PER SHAFT REVOLUTION
 SUPPLY VOLTAGE: 8 TO 28 Vdc
 OUTPUT VOLTAGE: LDW .5 Vdc at 10 mA; high Vs-1 Vdc

REVIEWED FOR CLASSIFICATION PER ESP-042

UNLESS OTHERWISE SPECIFIED ALL DIMENSIONS ARE IN INCHES <input type="checkbox"/> MILLIMETERS <input checked="" type="checkbox"/>		DRAWING BASED ON ANSI Y14.5M-1982	
TOLERANCES		THE REPRODUCTION, DISTRIBUTION, AND UTILIZATION OF THIS DOCUMENT, AS WELL AS THE COMMUNICATION OF ITS CONTENTS TO OTHERS WITHOUT EXPLICIT AUTHORIZATION IS PROHIBITED. OFFENDERS WILL BE HELD LIABLE FOR THE PAYMENT OF DAMAGES. ALL RIGHTS RESERVED IN THE EVENT OF THE GRANT OF A PATENT, UTILITY MODEL, OR DESIGN (PER ISO 10106)	
x ±	----	xx ± REF	----
xxx ± ONLY	----	xxxx ± ONLY	----
∠	----	∠	----
UNSPECIFIED HOLE ARE	----	UNSPECIFIED HOLE ARE	----
UNSPECIFIED DRIFT ANGLES ARE	----	UNSPECIFIED DRIFT ANGLES ARE	----
DRAWING FORMAT CAD <input checked="" type="checkbox"/> MANUAL <input type="checkbox"/>	----	DRAWING FORMAT CAD <input checked="" type="checkbox"/> MANUAL <input type="checkbox"/>	----
DRAWN BY JML 12-19-02		MATERIAL/HEAT TREAT	
CHECKED AGJ 12-19-02		TITLE	
DATE 12-20-02		H MOTOR INSTALLATION	
NO TOLERANCE		NUMBER	
THIRD ANGLE PROJECTION		A-37-482	
DO NOT SCALE		SCALE 1/1	
MINIMUMS 250		SHEET 1 OF 1	