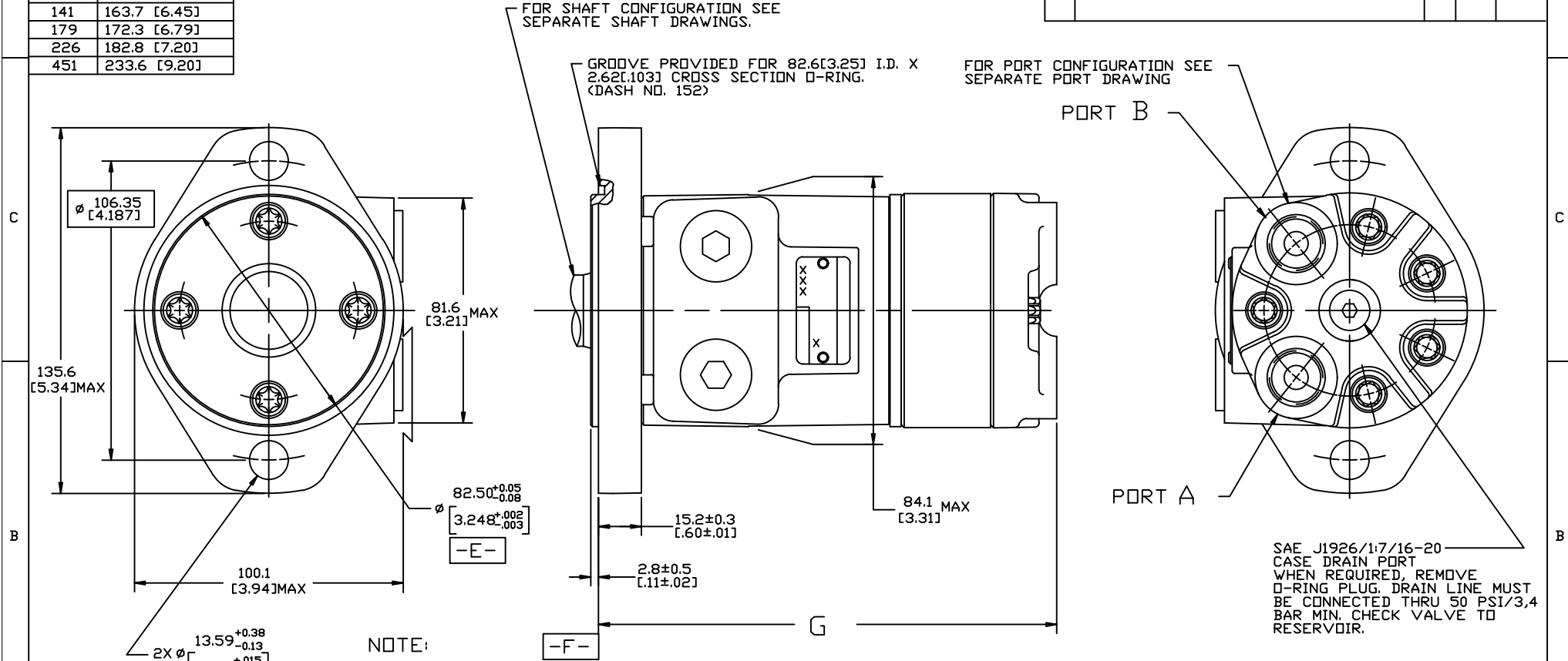


DISPL CODE	G MAX
022	138.3 [5.45]
025	139.1 [5.48]
028	138.3 [5.45]
035	142.1 [5.60]
045	142.1 [5.60]
059	145.2 [5.72]
073	148.5 [5.85]
089	152.0 [5.99]
097	153.9 [6.06]
113	157.4 [6.20]
141	163.7 [6.45]
179	172.3 [6.79]
226	182.8 [7.20]
451	233.6 [9.20]

SYM	REVISION	BY	DATE	ECN
A	ENGINEERING RELEASE	RL	11-10-97	14736
H	REVISED FOR STACK UP	HRK	9-27-10	M80161
J	(3A) NOTE 3 WAS CASE DRAIN + 1...	JVD	07-27-15	0065202
K	(1C)REMOVED DANFOSS LOGO	SSD	04-23-21	0131343



- NOTE:
- ROTATION: STANDARD; WHEN FACING SHAFT END OF MOTOR, SHAFT TO ROTATE COUNTERCLOCKWISE WHEN PORT "A" IS PRESSURIZED. REVERSE ; WHEN FACING SHAFT END OF MOTOR, SHAFT TO ROTATE COUNTERCLOCKWISE WHEN PORT "B" IS PRESSURIZED.
 - MOUNTING FLANGE: AA = 2 BOLT STD: 82.6[3.25] DIA. X 3.0[.12] PILOT, 13.59[5.35] DIA. MOUNTING HOLES ON 106.2[4.18] DIA. B.C.
 - CASE DRAIN: 01 = .4375-20 (END CAP)
 - PORT TYPE: EB = .750-16 O-RING, END PORTED

REVIEWED FOR CLASSIFICATION PER ESP-042

UNLESS OTHERWISE SPECIFIED ALL DIMENSIONS ARE IN INCHES <input type="checkbox"/> MILLIMETERS <input checked="" type="checkbox"/>		DRAWING BASED ON ANSI Y14.5M-1982	
TOLERANCES		THE REPRODUCTION, DISTRIBUTION, AND UTILIZATION OF THIS DOCUMENT, AS WELL AS THE COMMUNICATION OF ITS CONTENTS TO OTHERS WITHOUT EXPLICIT AUTHORIZATION IS PROHIBITED. OFFENDERS WILL BE HELD LIABLE FOR THE PAYMENT OF DAMAGES. ALL RIGHTS RESERVED IN THE EVENT OF THE GRANT OF A PATENT, UTILITY MODEL, OR DESIGN. (PER ISO 16016)	
X ± -	XX ± -	XXX ± -	∠ ± -
UNSPECIFIED RADII ARE:	UNSPECIFIED DRAFT ANGLES ARE:	THIRD ANGLE PROJECTION	D SIZE
DO NOT SCALE	DO NOT SCALE	SCALE 1/1	SHEET 1 OF 1

DRAWN BY/DATE: RLL 10-21-97
 CHECKED BY/DATE: RG 1-21-98
 ENGRG BY/DATE: WCV 1-25-98
 METALLURGY BY/DATE: ---
 MATERIAL/HEAT TREAT: ---
 TITLE: H MOTOR INSTALLATION
 NUMBER: A-37-313

Danfoss