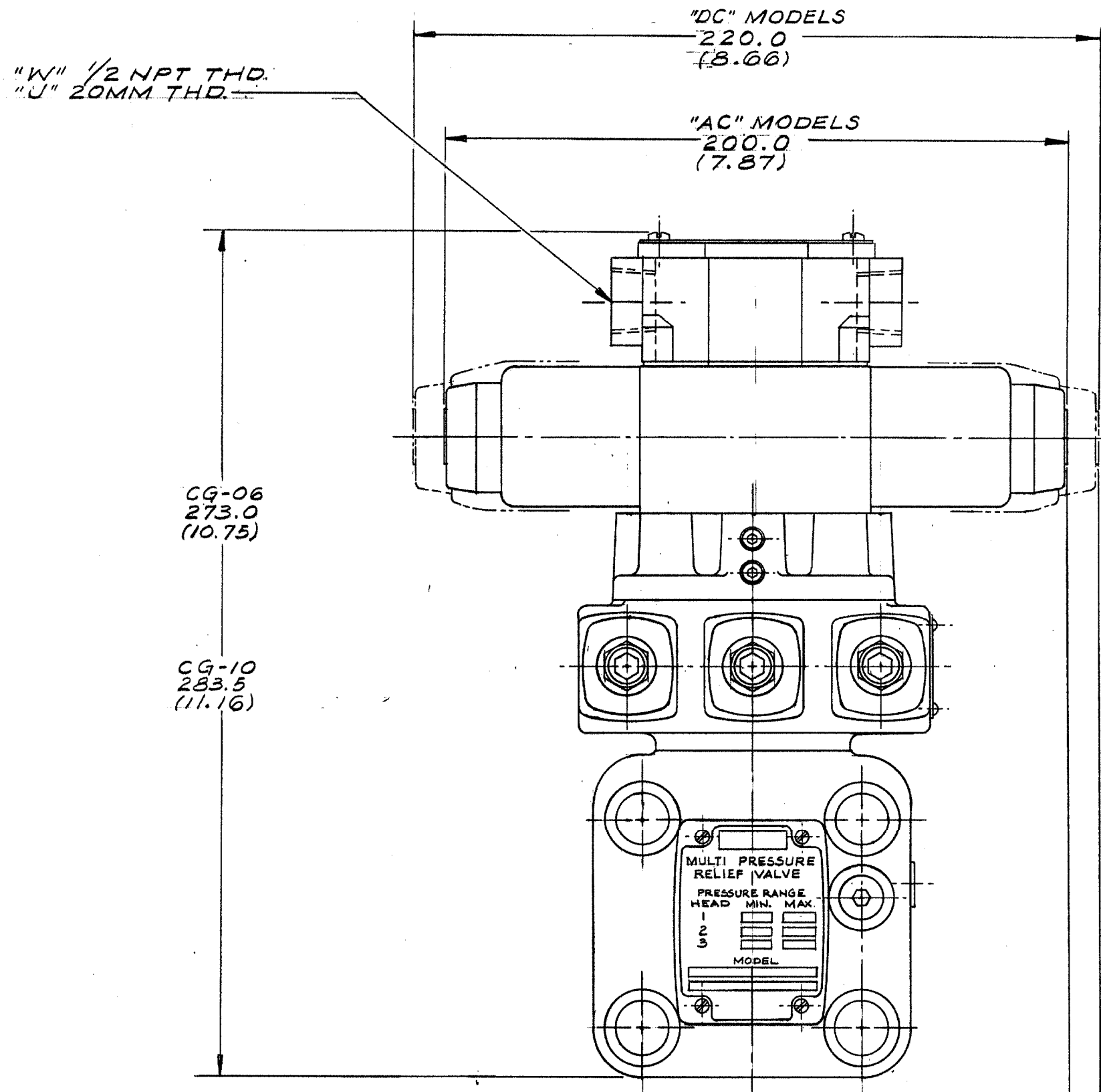


REVISIONS				
SYM	ZONE	DESCRIPTION	DATE	APPROVED
A	ZA	41296 REMOVED SWITCH MODELS FROM AND ADDED HAZARDOUS DUTY TO TANK PRESSURE RATING.	25 MAY 02 CWB	DJO 28 MAY 02
B		REPLACED "VICKERS" WITH "DANFOSS"	27 APR 23	DG 27 APR 23



MAXIMUM TANK LINE PRESSURE:
 STD. MODELS ----- 100 bar (1450 PSI)
 (A) HAZARDOUS DUTY (X*) ----- 70 bar (1000 PSI)

02-126418

METRIC
(INCH)

REFER TO CATALOG FOR ELECTRICAL PERFORMANCE SPECIFICATIONS OF PILOT VALVE
 REFER TO DWG. J-681303 FOR RELIEF VALVE INSTALLATION DIMENSIONS
 REFER TO DWG. E-508190 FOR ADDITIONAL -60 DESIGN DG4V3S PILOT VALVE DIMENSIONS

G.T. CODE NO.		THIRD ANGLE PROJECTION		MODEL CG-10-XX(NV)-DG-XX-XXX-9/41 SERIES	SA AE S
UNLESS OTHERWISE SPECIFIED INTERPRET PER VS 1-3-3-1		REF.		AE 5-02	
ANGULAR DIMENSIONS ±2°		DWN. W. HARRIS 4 SEP 90			
SURFACE ROUGHNESS 3.2µm 125µin		CHK. S. DEVAN 12 SEP 90			
TOLERANCE ON DECIMALS		MATERIAL		TITLE INSTALLATION DWG.	
1 PLACE 2 PLACE 3 PLACE		HEAT TREATMENT		3/4" AND 1/4" BI AND TRI	
mm ±0.8 ±0.25		COATING/PLATING		PRESSURE RELIEF VALVES	
INCH — ±.03 ±.010		R T.O.		(SUBPLATE MOUNTED)	
REMOVE BURRS		L. PROTO.		WITH -60 DES. DG4V-3S PILOT	
BREAK EDGES 0.25mm .010 in. MAX.		S. PROD. 12 SEP 90		SIZE D	
ALL TECHNICAL DATA DISCLOSED HEREIN IS THE PROPERTY OF DANFOSS, INCORPORATED AND SHALL NOT BE USED BY OTHERS FOR MANUFACTURE, PROCUREMENT, OR DISCLOSURE WITHOUT THE WRITTEN PERMISSION OF THE OWNER.		E ENGRG. APPVL.		FSCM NO. 02-126418	
				DRAWING NO. 02-126418	
				REV. B	
				SCALE 1/1 WT. 8.1g SHEET 1 OF 1	